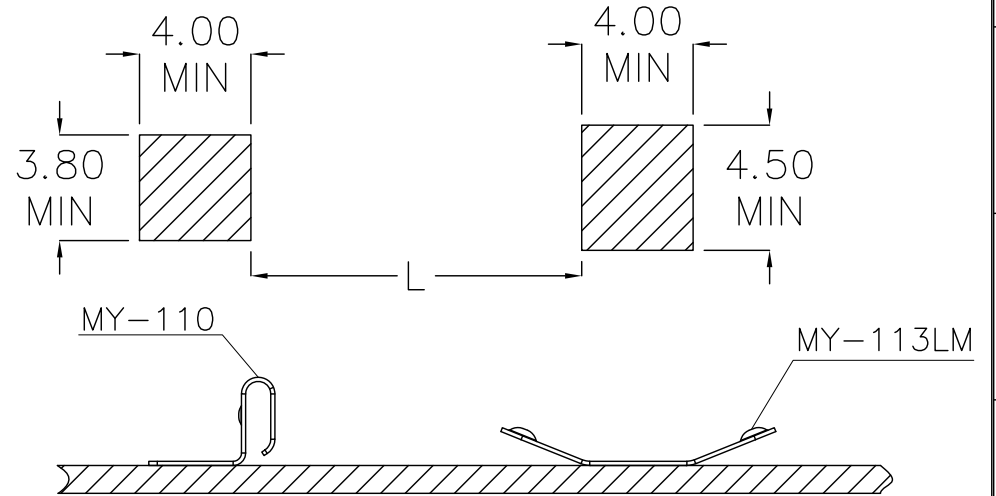
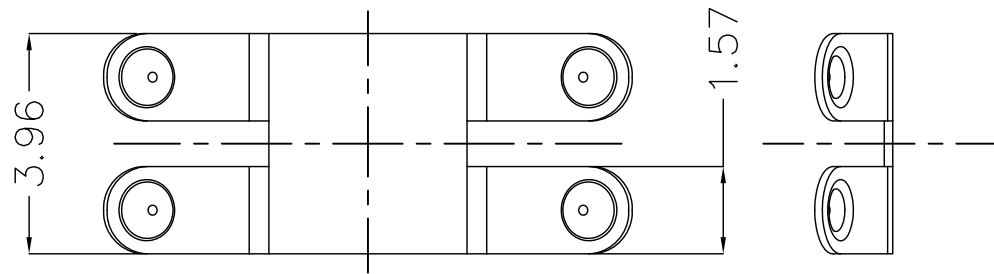




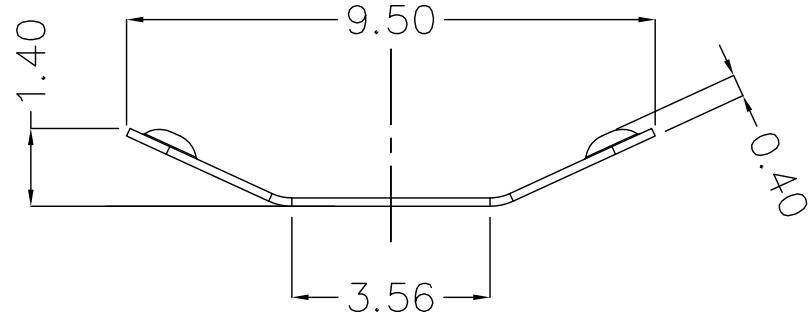
REV.	ECN NO.	REVISED	DATE



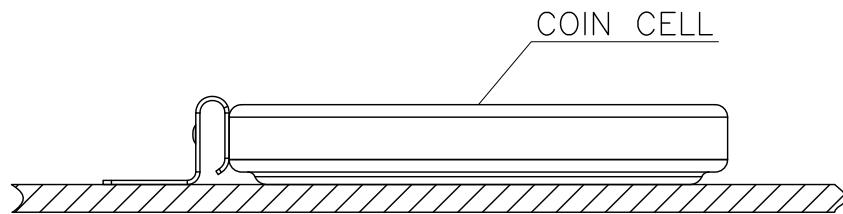
S:2:1

MTG LAYOUT USE WITH MY-113LM

COIN CELL DIA.	LDM.
20MM	9.40
23MM	10.90
24MM	11.40
30MM	14.40



工程部
2018-08-01
LQ. HUANG



UNLESS OTHERWISE SPECIFIED TOLERANCES		MYOUNG 美阳 www.meiyangdz.com	
DECIMALS: X :±0.30 X.X :±0.25 X.XX :±0.20 X.XXX :±0.10	ANGLES: X :±2° X.X :±1°	DSND YangFeng	DATE 2018-07-28
WEIGHT:		CHKD ZhouRuicai	DATE 2018-07-28
SHEET 1 OF 1		APVD XueShunyong	DATE 2018-07-28
SCALE: UNIT: mm		SIZE: A4	VIEW:
REV.: A/0		OBJECT: MY	TITLE: 电池接触片-113LM负极
DRAW NO.:MY-CP-0136		PART NO.: MY-FJ-113LM	

1	TERMINAL(-)	1	STAINLESS STEEL T=0.15mm	Au-Plating
NO.	PART NAME	Q'TY	MATERIAL	PLATING & COLOR