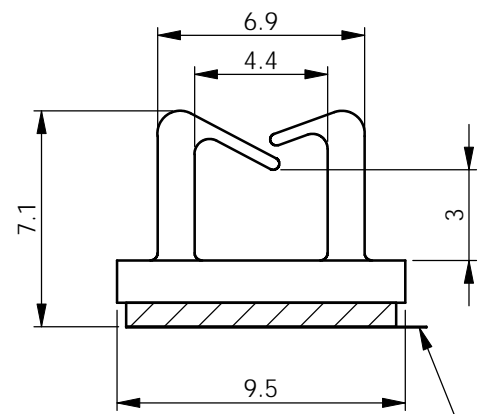
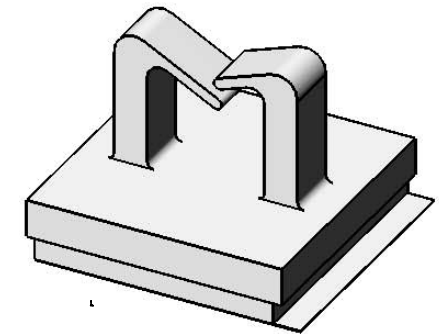
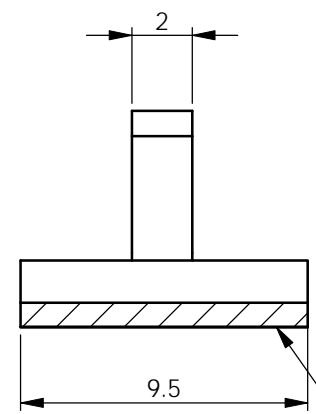


REV.	MODIFICATION.	DATE	DRN
01	ECN2008-011	16/01/08	SF
02	CO2010945	22/06/10	SF



TYPICAL RELEASE TAB LOCATION.



SEE NOTE FOR ADHESIVE DETAILS.

NOTE:

- ADHESIVE DETAILS AS FOLLOWS:ADHESIVE TAPE, PE FILM LINER.(RMS-24)
- THE COLOUR OF THE ADHESIVE LINER MAY VARY. THIS WILL NOT AFFECT THE TECHNICAL PROPERTIES OF THE PART.

ALTERNATE UNITS FOR REFERENCE ONLY

PART NUMBER	MATERIAL
MWSB-1-01A2-RT	NYLON 6/6 UL94 V-2(RMS-01)
MWSB-1-19A2-RT	NYLON 6/6 UL94 V0(RMS-19)

INFORMATION CONTAINED IN THIS DOCUMENT IS CONFIDENTIAL TO RICHCO INTERNATIONAL Co. Ltd. AND MAY NOT BE DISCLOSED OR REPRODUCED IN WHOLE OR PART WITHOUT THEIR WRITTEN CONSENT.

RICHCO, INC. WWW.RICHCO-INC.COM	ALL DIMENSIONS IN mm GENERAL TOLERANCES ±0.25 UNLESS OTHERWISE STATED 1 DECIMAL PLACE ±0.25 2 DECIMAL PLACES ± 0.10 ANGULAR ±1°	THIRD ANGLE
---	--	-----------------

MATERIAL: SEE TABLE	COLOUR: NATURAL
------------------------	--------------------

DESCRIPTION: MICRO WIRE SADDLE ON ADHESIVE BASE	PART No: SEE TABLE
--	-----------------------

DRG No: 2008-006	NPR No: N/A	Mass:(g) 0.8	SHEET SIZE A4
---------------------	----------------	-----------------	------------------

DRN SF	DATE 16/01/08	CHKD TC	DATE 16/01/08	SCALE NTS	SHEET No. 1 OF 1
-----------	------------------	------------	------------------	--------------	---------------------