



## 9mm Size Metal Shaft Multi-ganged Type RK097 Series

### Single-shaft without switch type

|                             |                            |   |
|-----------------------------|----------------------------|---|
| Number of resistor elements | Dual-unit                  |   |
| Mounting direction          | Horizontal type            |   |
| Fixing method of bushing    | Screw                      |   |
| Shaft types                 | Flat                       |   |
| Length of the shaft         | 20mm                       |   |
| Center detent               | Without                    |   |
| Total resistance            | 20kΩ                       |   |
| Resistance taper            | 15A                        |   |
| Operating temperature range | -20°C to +70°C             |   |
| Electrical Performance      | Total resistance tolerance | ±20%  |
|                             | Rated power                | 0.05W   |
|                             | Maximum operating voltage  | 50V AC, 10V DC  |
|                             | Residual resistance        | 30Ω max.  |
|                             | Gang error                 | -40dB to 0dB 3dB max.   |
|                             | Insulation resistance      | 100MΩ min. 250V DC  |
|                             | Voltage proof              | 300V AC for 1 minute  |
| Mechanical Performance      | Total rotational angle     | 300°±5°   |
|                             | Rotational torque          | 2 to 25mN·m   |
|                             | Stopper strength           | 0.5N·m  |
|                             | Push-pull strength         | 100N max.   |
|                             | Vibration                  | 10 to 55 to 10Hz/min., the amplitude is 1.5mm for all the frequencies, in the 3 direction of X, Y and Z and for 2 hours |

respectively

---

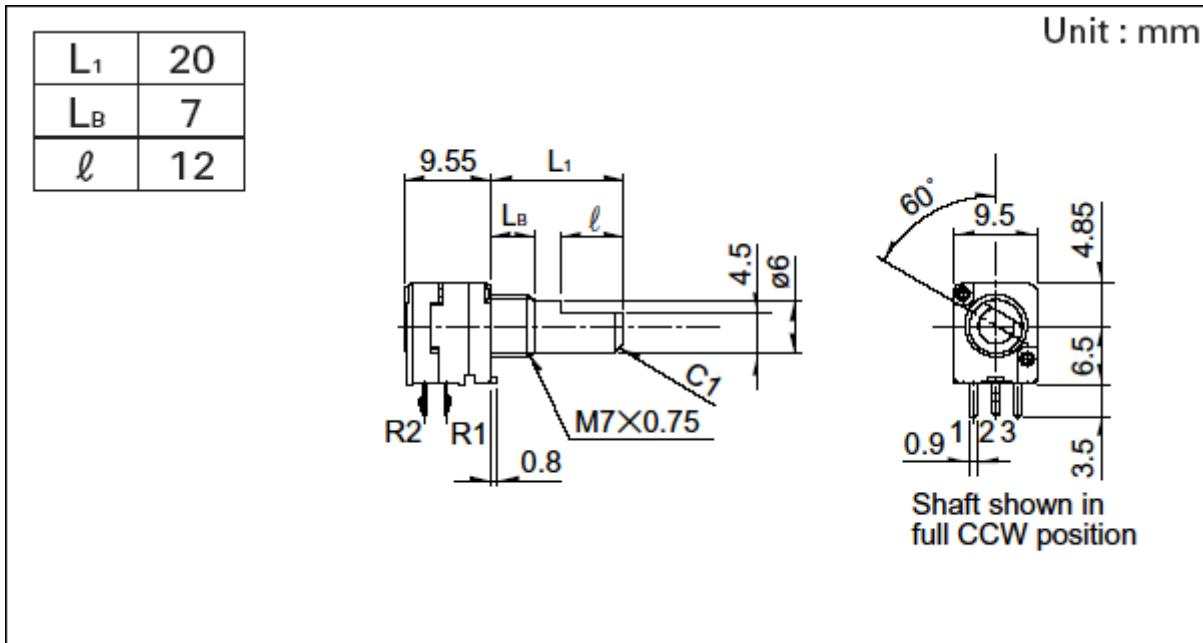
|            |                |               |
|------------|----------------|---------------|
| Durability | Operating life | 15,000 cycles |
|------------|----------------|---------------|

---

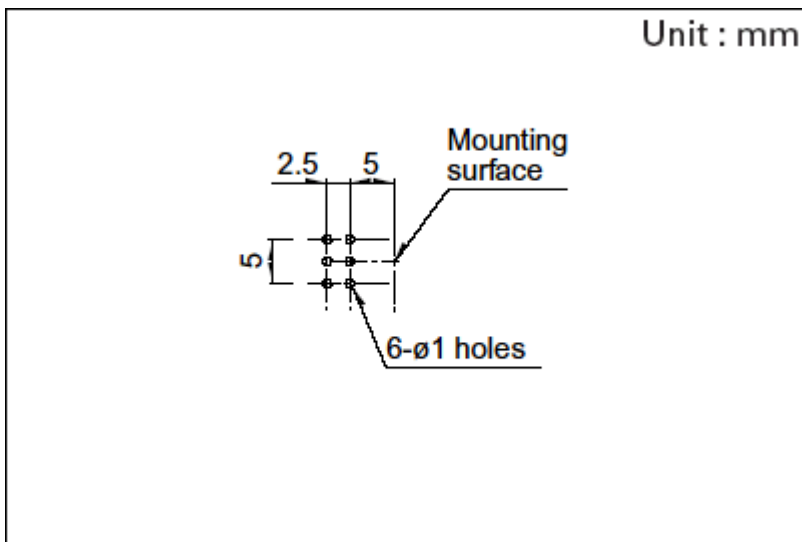
|                              |        |       |
|------------------------------|--------|-------|
| Minimum order unit<br>(pcs.) | Japan  | 800   |
|                              | Export | 1,600 |

---

## Dimensions

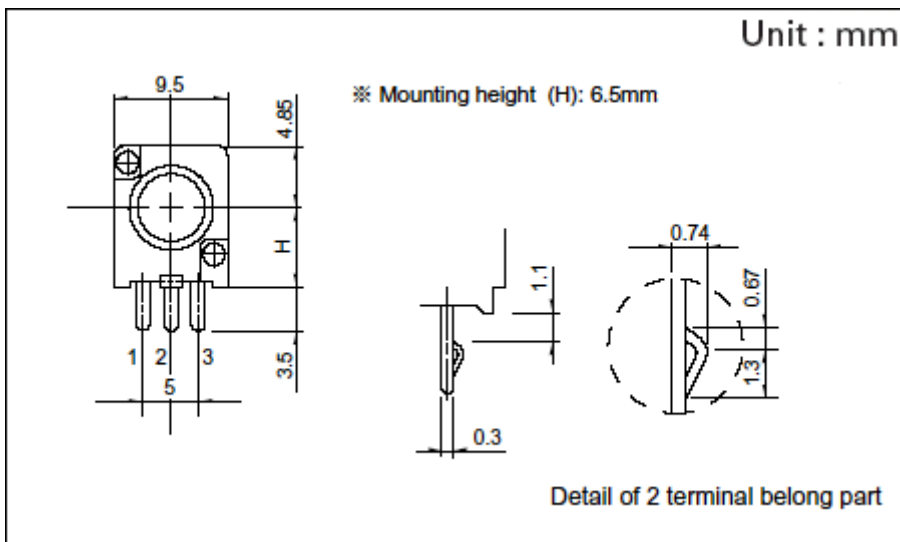


## Mounting Hole Dimensions

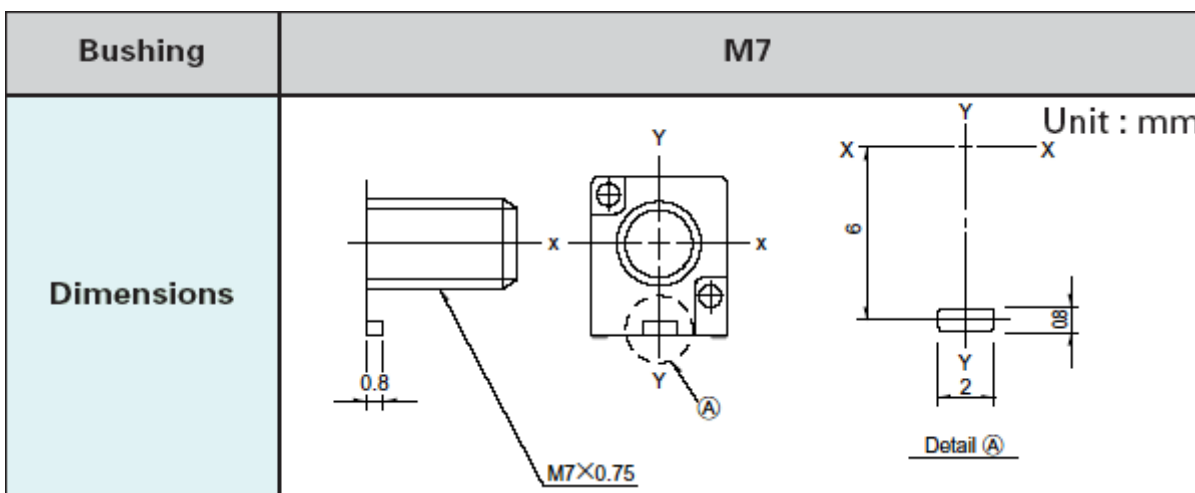


Viewed from mounting side.

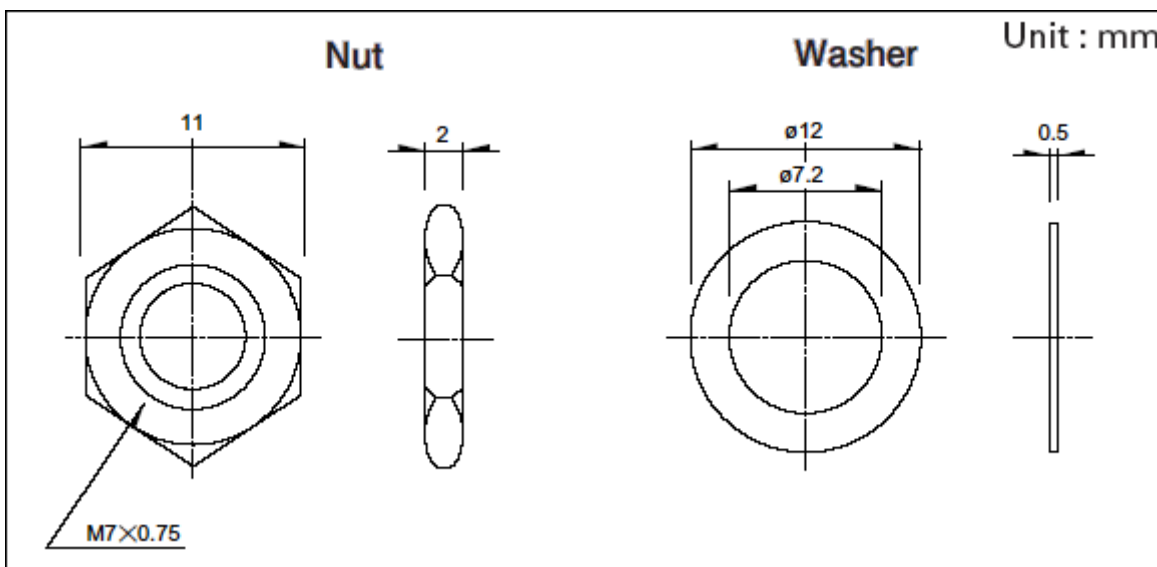
## Dimensions of Terminal



### Dimensions of Bushings



### Attached Parts



These parts are attached to the following products.

### Packing Specifications

#### Tray

Number of packages 1 case / Japan                      800

|        |                            |       |
|--------|----------------------------|-------|
| (pcs.) | 1 case / export<br>packing | 1,600 |
|--------|----------------------------|-------|

---

Export package measurements (mm)      373×540×207

---

## Soldering Conditions

### Reference for Dip Soldering

|                |                               |              |
|----------------|-------------------------------|--------------|
| Preheating     | Soldering surface temperature | 100°C max.   |
|                | Heating time                  | 2 min. max.  |
| Dip soldering  | Soldering temperature         | 260±5°C max. |
|                | Soldering time                | 5±1s         |
| No. of solders |                               | 2 time max.  |

### Reference for Hand Soldering

|                 |  |            |
|-----------------|--|------------|
| Tip temperature |  | 350°C max. |
| Soldering time  |  | 3s max.    |
| No. of solders  |  | 1 time     |

Notes are common to this series/models.

1. This site catalog shows only outline specifications. When using the products, please obtain formal specifications for supply.
2. For the switch attached, the single-shaft or inner shaft of the dual-shaft type can be chosen.
3. Please place purchase orders per minimum order unit (integer).
4. Products other than those listed in above products are also available. Please contact us for details.
5. This products can be used in vehicles.  
Although these products are designed to perform over a wide operating temperature range, please ensure that you receive and read the formal delivery specifications before use.