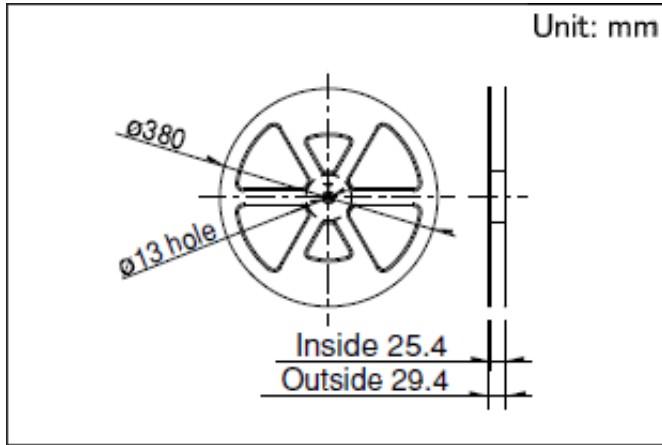


Compact Reflow Type RS08U Series

Number of resistor elements		Single-unit
Direction of lever		Vertical
Travel		8mm
Length of lever		0.6mm
Total resistance		10k Ω
Resistance taper		1B
Operating temperature range		-10°C to +70°C
Electrical performance	Total resistance tolerance	$\pm 30\%$
	Maximum operating voltage	5V DC
	Rated power	0.025W
	Insulation resistance	100M Ω min. 100V DC
	Voltage proof	100V AC for 1 minute
Mechanical performance	Operating force	0.17 \pm 0.15N
	Stopper strength	5N
	Lever push-pull strength	5N
Durability	Operating life	10,000 cycles
Minimum order unit (pcs.)	Japan	9,000
	Export	9,000

Dimensions

Taping



Number of packages (pcs.)	1 case / Japan	9,000
	1 case / export packing	9,000

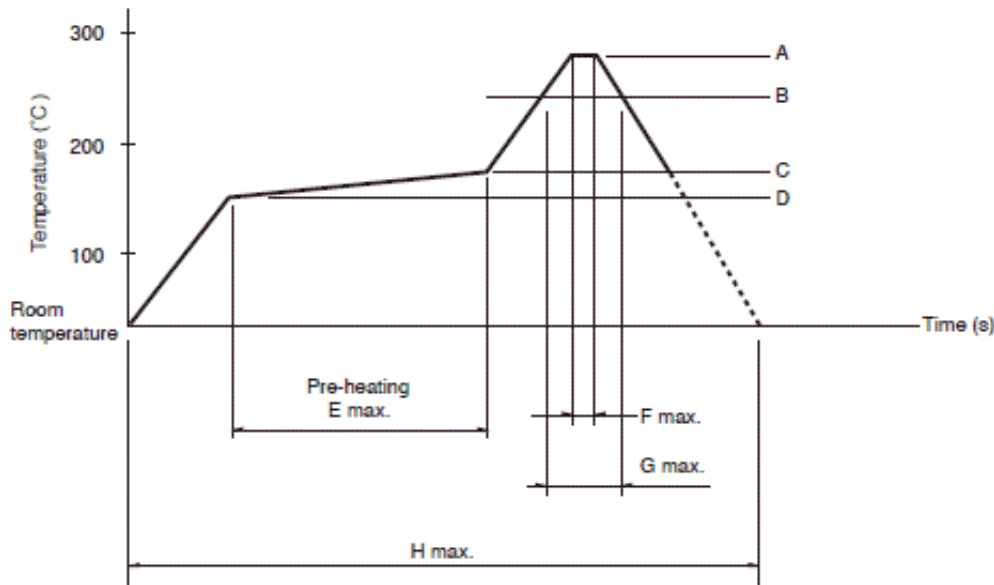
Tape width (mm) 24

Export package measurements (mm) 405×405×228

Soldering Conditions

Example of Reflow Soldering Condition

Temperature profile



A	B	C	D	E	F	G	H	No. of reflows
250°C	200°C	150°C	150°C	2 min.	3s	40s	4 min.	1 time

1. When using an infrared reflow oven, solder may sometimes not be applied. Be sure to use a hot air reflow oven or a type that uses infrared rays in combination with hot air.
2. The temperatures given above are the maximum temperatures at the terminals of the potentiometer

when employing a hot air reflow method. The temperature of the PC board and the surface temperature of the potentiometer may vary greatly depending on the PC board material, its size and thickness. Ensure that the surface temperature of the potentiometer does not rise to 250°C or greater.

3. Conditions vary to some extent depending on the type of reflow bath used. Be sure to give due consideration to this prior to use.

Reference for Hand Soldering

Tip temperature	350°C max.

Soldering time	3s max.

No. of solders	1 time

Notes are common to this series/models.

1. This site catalog shows only outline specifications. When using the products, please obtain formal specifications for supply.
2. Please place purchase orders per minimum order unit (integer).
3. Products other than those listed in above products are also available. Please contact us for details.