

3A STEP-DOWN PWM CONVERTER

FEATURES

- Operating Input Voltage From 4.5V to 30V
- 3.3V, 5V, 12V and Adjustable Output Version
- Adjustable Version Output Voltage Range, 1.2V to 30V \pm 4% max Over Line and Load Regulation
- Available in TO-263-5, TO-220-5 and TO-220B Package
- Requires Only 4 External Components
- 150KHz Fixed Constant Frequency
- Low Power Standby Mode, I_Q Typically 80 μ A
- TTL Shutdown Capability
- Current Limit and Thermal Shutdown Protection
- 3A Guaranteed Output Load Current

GENERAL DESCRIPTION

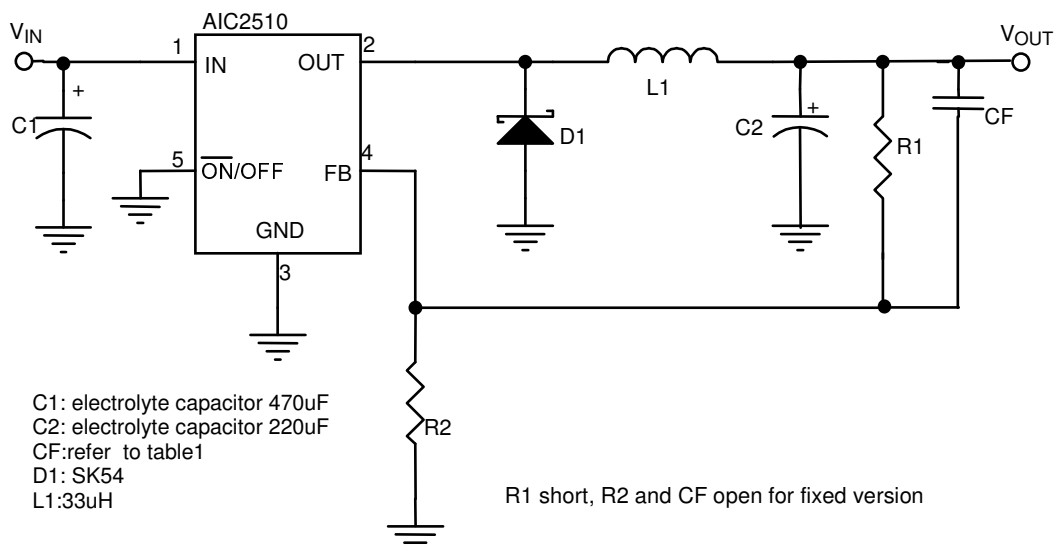
The AIC2510 series are step-down monolithic PWM converters for delivering 3A at fixed voltages of 3.3V, 5.0V, 12V and using an external divider to adjust output voltage from 1.2V to 30V with excellent line and load regulation.

Switching frequency up to 150KHz is achievable thus allowing smaller-sized filter components. Internal current limit and thermal shutdown circuits provide protection from overloads. The internal precise reference combined with voltage feedback loop provides optimum output voltage accuracy and fast load transient response.

APPLICATIONS

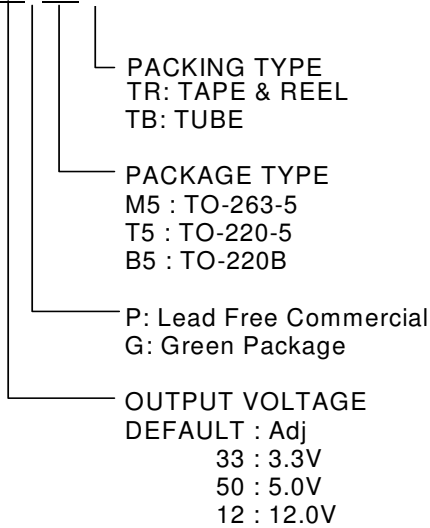
- Fixed Voltage power supply for LCD Monitor and LCD TV
- On-Card Switching regulators
- Simple High Efficiency Step-down regulator

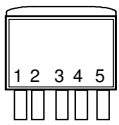
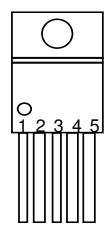
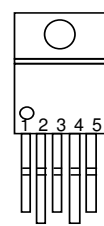
TYPICAL APPLICATION CIRCUIT



ORDERING INFORMATION

AIC2510- XXXXXXX



ORDER NUMBER	PIN CONFIGURATION
AIC2510PM5 AIC2510-33PM5 AIC2510-50PM5 AIC2510-12PM5	TO-263-5 FRONT VIEW 1: IN 2: OUT 3: GND 4: FB 5: ON/OFF 
AIC2510PT5 AIC2510-33PT5 AIC2510-50PT5 AIC2510-12PT5	TO-220-5 FRONT VIEW 1: IN 2: OUT 3: GND 4: FB 5: ON/OFF 
AIC2510PB5 AIC2510-33PB5 AIC2510-50PB5 AIC2510-12PB5	TO-220B FRONT VIEW 1: IN 2: OUT 3: GND 4: FB 5: ON/OFF 

Example: AIC2510-50PM5TR

- 5.0V Output Version, in Lead Free TO-263-5 Package & Taping & Reel Packing Type
- AIC2510-33PB5TR
- 3.3V Output Version, in Lead Free TO-220B Package & Taping & Reel Packing Type

ABSOLUTE MAXIMUM RATINGS

Supply Voltage.....	30V
FB, ON/OFF Pin Input Voltage.....	-0.3V to 30V
Operating Temperature Range.....	-40°C ~ 85°C
Storage Temperature Range.....	-65°C ~ 150°C
Junction Temperature.....	125°C
Lead Temperature (Soldering 10sec.).....	260°C
Thermal Resistance Junction to Case	TO-263-5, TO-220-5, TO-220B..... 3°C/W
Thermal Resistance Junction to Ambient	TO-263-5..... 60°C/W
(Assume no ambient airflow, no heatsink)	TO-220-5, TO-220B..... 50°C/W

Absolute Maximum Ratings are those values beyond which the life of a device may be impaired.

■ **ELECTRICAL CHARACTERISTICS** ($T_A=25^{\circ}\text{C}$, $V_{IN}=12\text{V}$ for the 3.3V, 5V and Adjustable version and $V_{IN}=24\text{V}$ for the 12V version.) (Note1)

PARAMETER	TEST CONDITIONS	MIN.	TYP.	MAX.	UNIT
Input Voltage		4.5		30	V
Fixed Output Voltage	AIC2510-33 ($V_{IN} > 4.75\text{V}$)	3.168		3.432	V
	AIC2510-50 ($V_{IN} > 7.0\text{V}$)	4.800		5.200	V
	AIC2510-12 ($V_{IN} > 15\text{V}$)	11.52		12.48	V
FB Reference Voltage		1.193		1.267	V
Saturation Voltage			1.2	1.4	V
Output Voltage Regulation				4	%
Quiescent Current	Internal switch off		5	10	mA
Shutdown Quiescent Current	ON/OFF= 5V (OFF)		80	200	μA
FB bias current	$V_{FB}=1.3$		10	50	nA
Output leakage current	$V_{out}=-0.9$		2	30	mA
Logic Input High	(Regulator OFF)	2.0			V
Logic Input Low	(Regulator ON)			0.6	V
Oscillator Frequency		130	150	180	KHz
Output Current Limit		3.6		5.5	A
Maximum Duty Cycle		100			%
Minimum Duty Cycle			0		%
Efficiency	$V_o=5\text{V}$, $I_o=3\text{A}$		80		%

Note 1: Specifications are production tested at $T_A=25^{\circ}\text{C}$. Specifications over the -40°C to 85°C operating temperature range are assured by design, characterization and correlation with Statistical Quality Controls (SQC).

TYPICAL PERFORMANCE CHARACTERISTICS

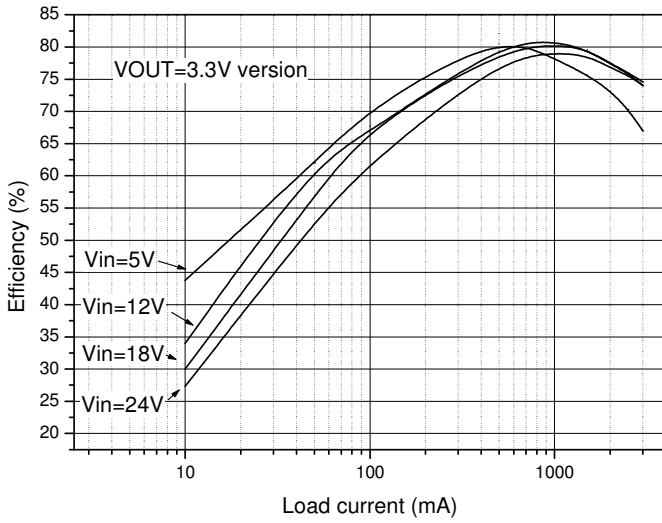


Fig.1 3.3V version efficiency

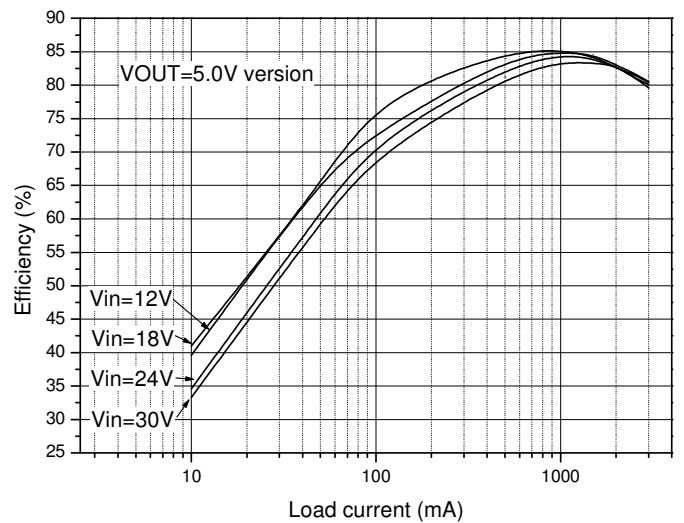


Fig.2 5V version efficiency

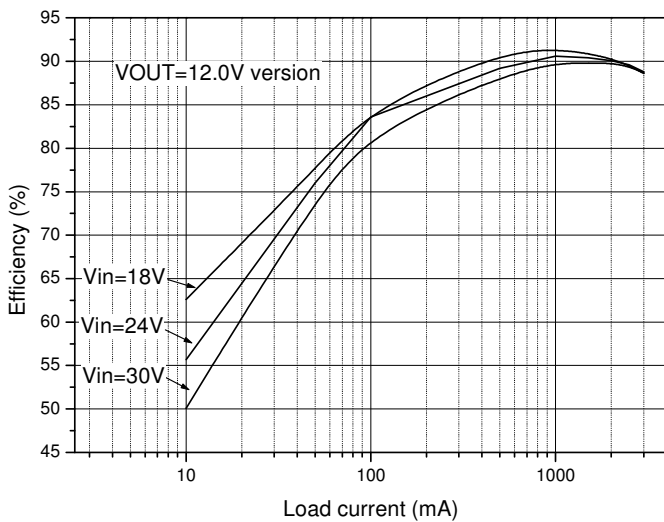


Fig.3 12V version efficiency

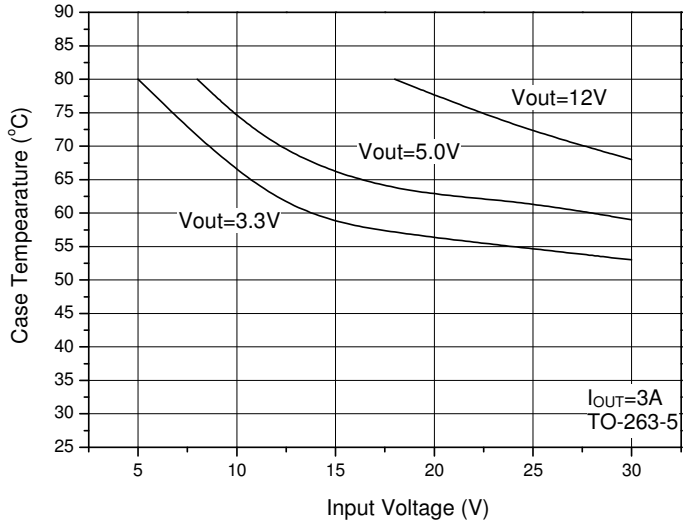


Fig.4 Case temperature vs. input voltage

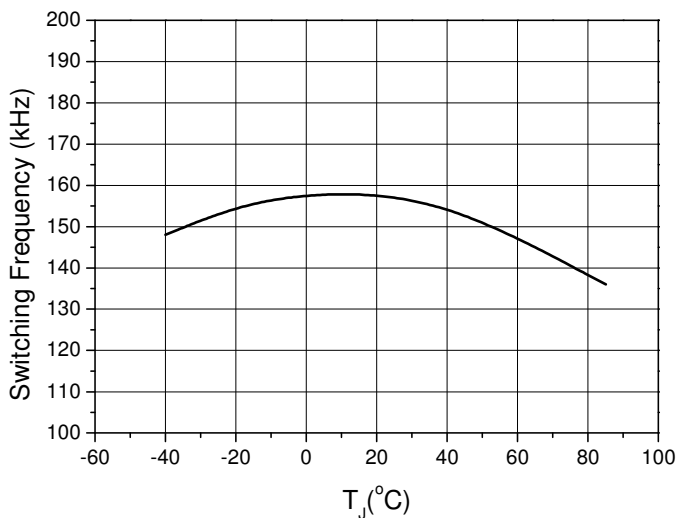


Fig.5 Switching frequency vs. Temperature

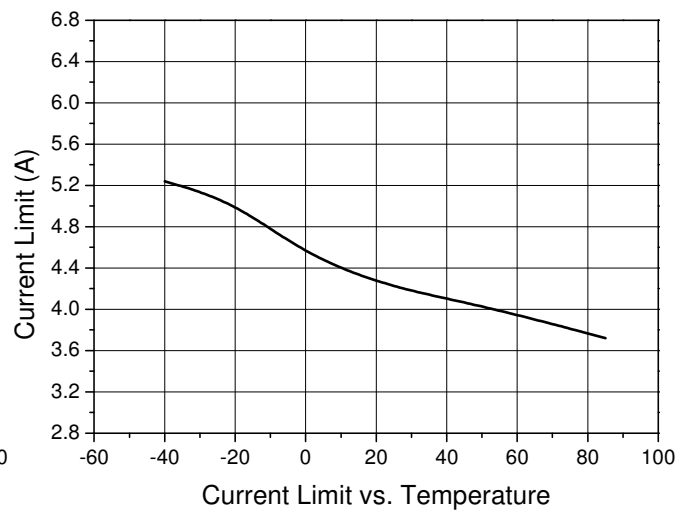


Fig.6 Current Limit vs. Temperature

TYPICAL PERFORMANCE CHARACTERISTICS (Continued)

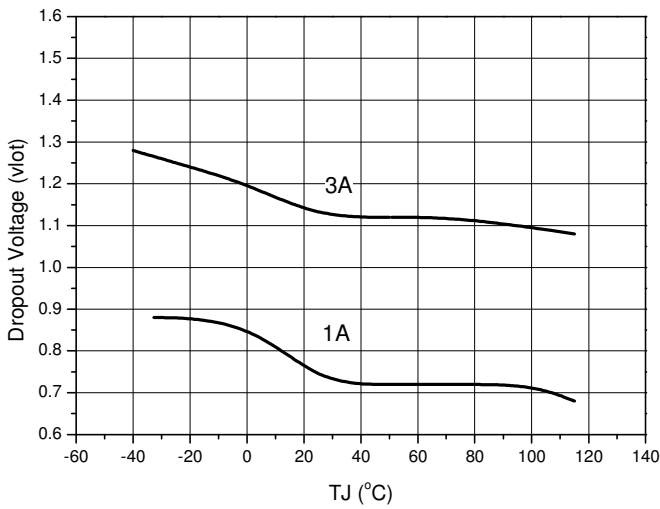


Fig.7 Dropout voltage vs. Temperature

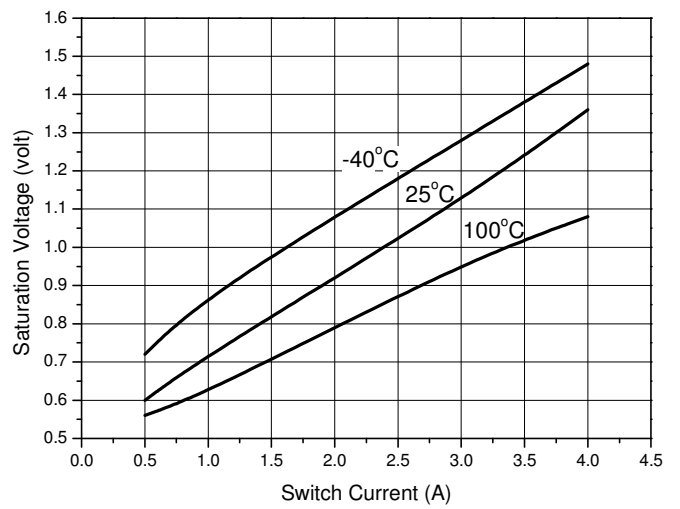


Fig.8 Switching saturation voltage vs. switch current

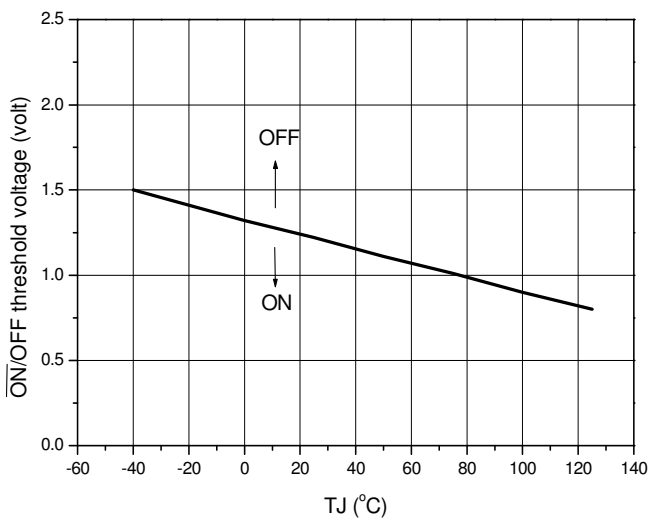


Fig.9 ON/OFF threshold voltage vs. Temperature

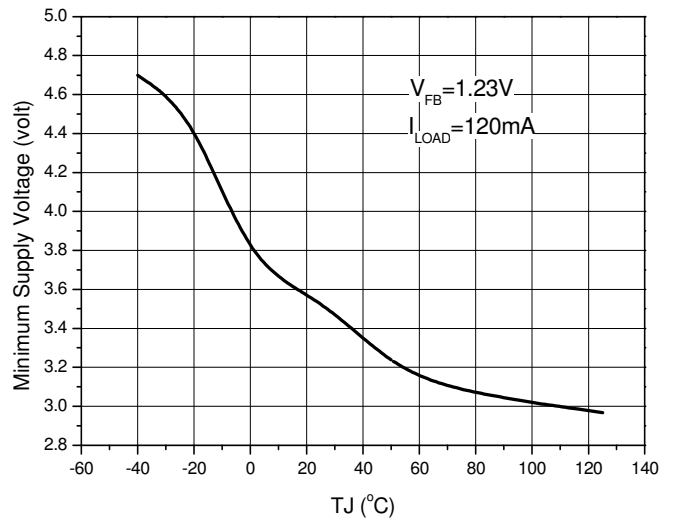


Fig.10 Minimum Operating supply voltage vs. Temperature (ADJ only)

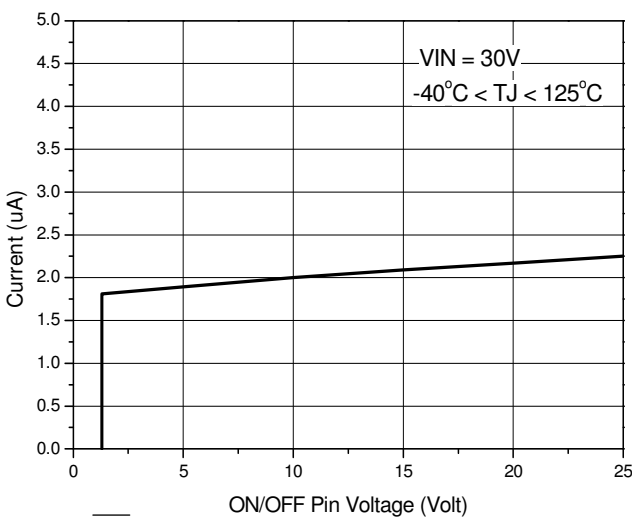


Fig.11 ON/OFF Pin Current (sinking) vs. Temperature

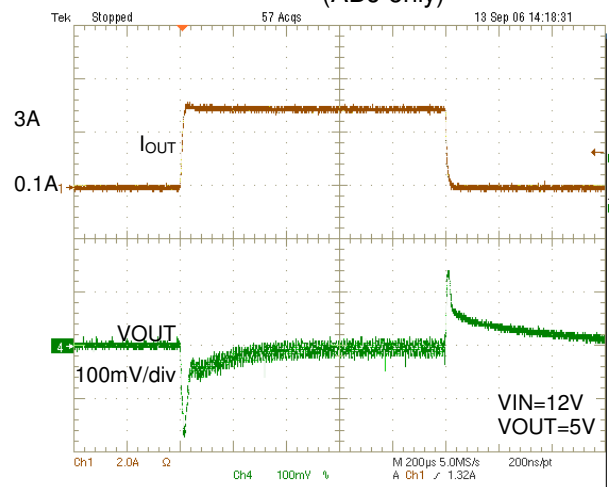


Fig.12 Load transient response

■ TYPICAL PERFORMANCE CHARACTERISTICS (Continued)

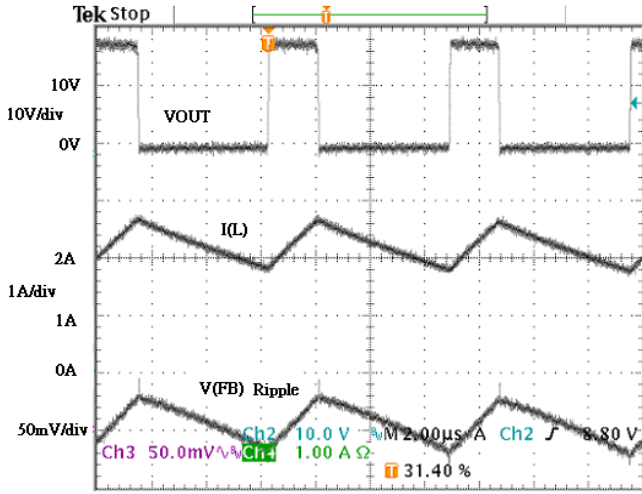


Fig.13 FB pin ripple(CCM)

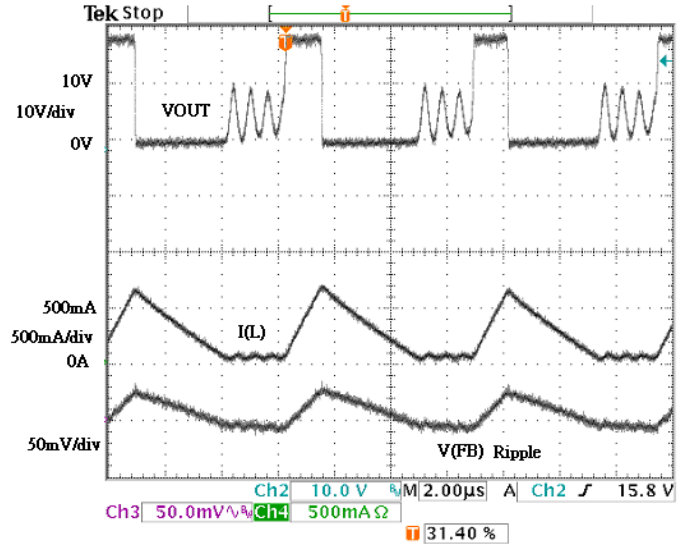
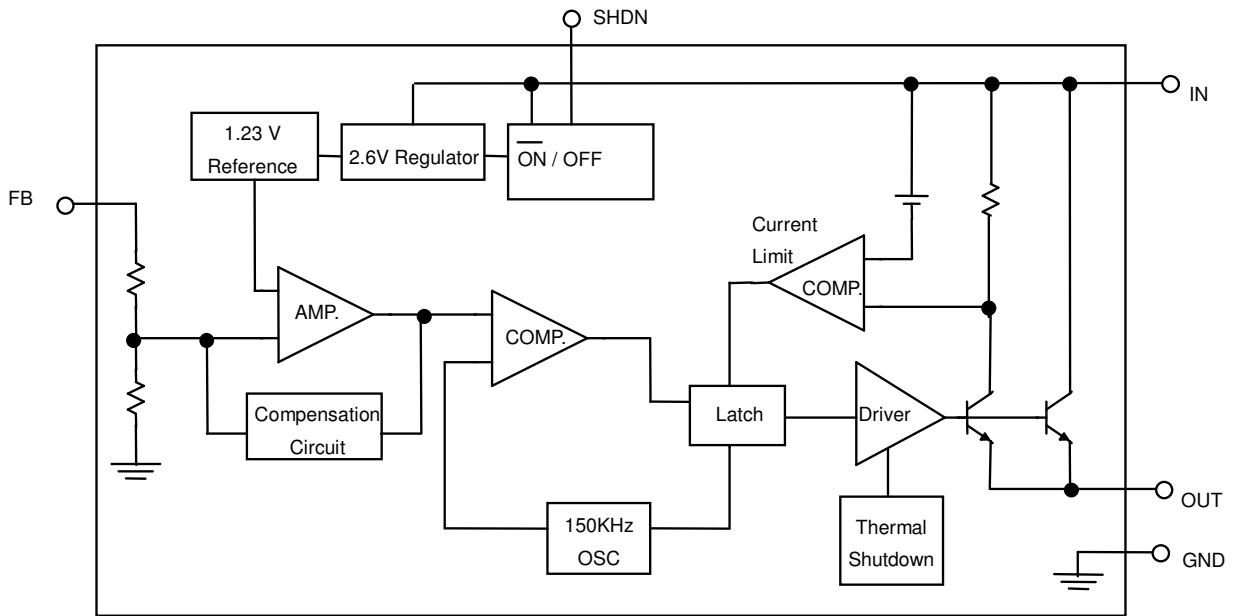


Fig.14 FB pin ripple(DCM)

■ BLOCK DIAGRAM



■ PIN DESCRIPTIONS

<p>PIN 1: IN Supply voltage input for the IC switching regulator. A suitable input bypass capacitor must be present at this pin to minimize voltage transients and to supply the switching currents needed by the regulator.</p> <p>PIN 2: OUT Internal switch. The voltage at this pin switches between $(V_{IN}-V_{SAT})$ and approximately -0.5V, with a duty cycle of approximately V_{OUT}/V_{IN}.</p> <p>PIN 3: GND Ground requires a short, low noise connection to ensure good load regulation.</p>	<p>PIN 4: FB Feedback input for fixed-output or adjustable-output version. Connect directly to output for fixed operation version or to a resistor divider for adjustable operation versions.</p> <p>PIN 5: \overline{ON}/OFF Allows the switching regulator circuit to be shutdown using logic level signals thus dropping the total input supply current to approximately 80μA. Drive it high to disable the reference, control circuitry and internal switches. Drive low or connect to GND for normal operation.</p>
--	--

■ APPLICATION INFORMATION

Thermal considerations

The AIC2510 is available with TO-220-5, TO220B and TO-263-5 packages. The TO-220-5 and TO220B packages need a heat sink in most conditions. The TO-263-5 package is designed to be soldered to the copper on a printed circuit board. The printed circuit board is the heat sink for TO-263-5 package and other heat components, such as inductors and diodes. The size of the heat sink depends on the power loss of AIC2510 and the ambient temperature. The power loss of AIC2510 is determined by input voltage, output voltage and load current. The Fig.4 represents the curve of the AIC2510 case temperature in different conditions.

The curve shows the AIC2510 temperature rises above ambient temperature for a 3A load with different input and output voltage. The values of the temperature rise, which are affected by factors

such as sink size, heat produced from heat components, and etc., may be different from those in Fig.8 depending on the conditions of the application. According to the equation 1, as the power loss or ambient temperature is rising the heat sink size must be increased to decrease the thermal resistance ($R\theta_{jA}$) so that the junction temperature does not over 125°C. An appropriate increase of heat sink size may result in a normal-ranged junction temperature.

$$P_D = \frac{T_j - T_A}{R\theta_{jA}}$$

As junction temperature rises to its temperature protect point, the AIC2510 will stop working. Output voltage drops to zero until the junction temperature decreases to a normal range.

APPLICATION INFORMATION (Continued)

Components Selection

Inductor

The inductor selection depends on the operating frequency of the AIC2510. The ripple current ΔI_L interrelates with inductor value. A lower inductor value gets a higher ripple current. Besides, a higher V_{IN} or V_{OUT} can also get the same result. The inductor value can be calculated as the following formula.

$$L = \frac{1}{(f)(\Delta I_L)} V_{OUT} \left(1 - \frac{V_{OUT}}{V_{IN}} \right)$$

Users can define the acceptable ΔI_L to gain a suitable inductor value.

Diode

The diode current rating must be higher than 1.3 times maximum load current. Also, if the power supply needs to resist a continuous output short, the diode should have a current rating equal to the maximum current limit of the AIC2510. The reverse voltage rating of the diode should be higher than 1.25 times input voltage and the diode must be fast. The reverse recovery time of the diode is short.

Capacitor

The selection of output capacitor depends on the suitable ripple voltage. Lower ripple voltage corresponds to lower ESR (Equivalent Series Resistor) of output capacitor. Typically, once the ESR is satisfied with the ripple voltage, the value of capacitor is adequate for filtering. The formula of ripple voltage is as below:

$$\Delta V_{OUT} = \Delta I_L \left(ESR + \frac{1}{8fC_{OUT}} \right)$$

The typical input capacitor is 470uF. But as the temperature decreases, the input capacitor needs to increase to stabilize the circuit.

Example

Assume the input voltage is 12V, output voltage is 5V and maximum load current is 3A. The output ripple must be smaller than 2% of output voltage

Inductor selection:

$$L = \frac{1}{(f)(\Delta I_L)} V_{OUT} \left(1 - \frac{V_{OUT}}{V_{IN}} \right)$$

$$= \frac{1}{150k \times 0.6} \times 5 \times \left(1 - \frac{5}{12} \right) = 32.4\mu H$$

Here, the ΔI_L is 0.6A. So we choose 33uH inductor.

Output capacitor selection:

$$\Delta V_{OUT} = \Delta I_L \left(ESR + \frac{1}{8fC_{OUT}} \right) < 100mV$$

We choose the capacitor value: ESR=0.12, capacitance=220uF

$$\Rightarrow \Delta V_{OUT} = \Delta I_L \left(ESR + \frac{1}{8fC_{OUT}} \right) = 74mV < 100mV$$

Diode selection:

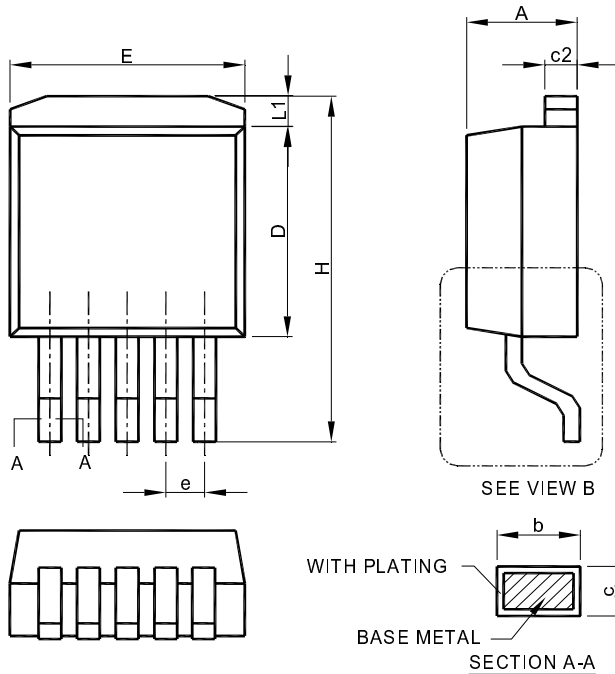
The full load is 3A and ΔI_L is 0.6A, so the diode current rating must be higher than 3.6A.

CF Capacitor for adj version

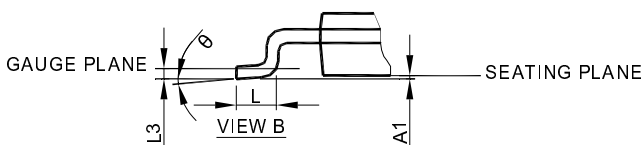
As using the AIC2510 adj version, the CF capacitor is required to provide additional stability. In different condition, the CF capacitor must be changed to make the circuit stable.

Output Voltage (V)	Input Voltage (V)	R1 (Ω)	R2 (Ω)	CF (pF)
1.8	7	36k	82k	1000
4	12	180k	82k	360
6	12	180k	47k	360
8	15	180k	33k	360
10	18	150k	22k	470
15	25	110k	10k	560

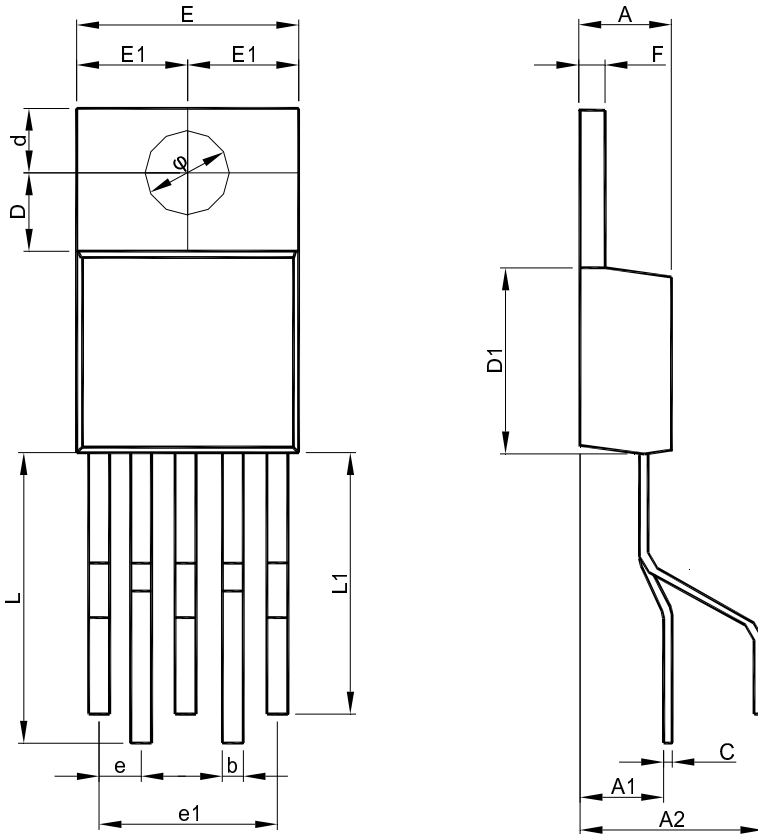
Table 1

PHYSICAL DIMENSIONS (unit: mm)
TO-263-5


SYMBOL	TO-263-5L	
	MILLIMETERS	
	MIN.	MAX.
A	4.06	4.83
A1	0.00	0.25
b	0.51	0.99
c	0.38	0.74
c2	1.14	1.65
D	8.38	9.65
E	9.65	10.67
e	1.70 BSC	
H	14.61	15.88
L	1.78	2.79
L1	--	1.68
L3	0.25 BSC	
q	0°	8°



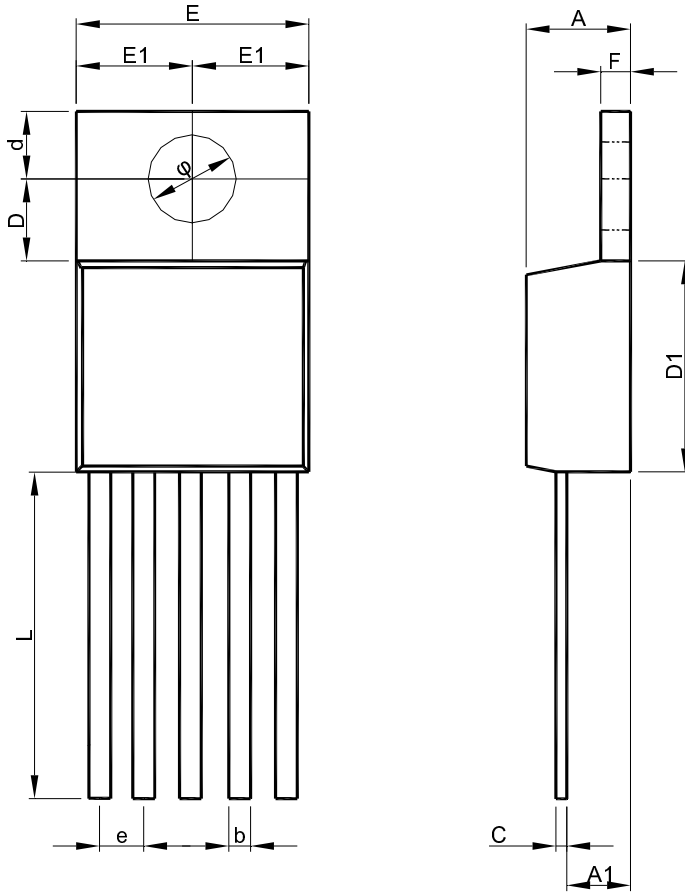
- Note: 1. Refer to JEDEC TO-263BA.
 2. Dimension "E" does not include mold flash, protrusions or gate burrs. Mold flash, protrusion or gate burrs shall not exceed 6 mil per side.
 3. Dimension "D" does not include inter-lead flash or protrusions.
 4. Controlling dimension is millimeter, converted inch dimensions are not necessarily exact.

PHYSICAL DIMENSIONS(Continued) (unit: mm)
TO-220B


SYMBOL	TO-220B	
	MILLIMETERS	
	MIN.	MAX.
A	4.318	4.826
A1	4.250	4.550
A2	8.250	8.550
b	0.690	0.940
C	0.304	0.530
D	3.556(REF)	
D1	8.480	9.300
d	2.743(REF)	
E	9.906	10.44
E1	4.953	5.220
Q	3.708	3.962
e	1.524	2.032
e1	6.604	7.112
F	1.143	1.397
L	9.880	10.64
L1	9.090	9.850

Note : Controlling dimension is millimeter, converted inch dimensions are not necessarily exact.

● TO-220-5L



SYMBOL	TO-220-5L	
	MILLIMETERS	
	MIN.	MAX.
A	4.064	4.826
A1	2.032	2.921
b	0.635	1.016
C	0.304	0.460
D	3.429	3.683
D1	7.620	9.398
d	2.620	2.870
E	9.779	10.668
E1	4.953	5.220
φ	3.708	3.962
e	1.524	2.032
F	1.143	1.397
L	13.589	14.351

Note : Controlling dimension is millimeter, converted inch dimensions are not necessarily exact.

Note:

Information provided by AIC is believed to be accurate and reliable. However, we cannot assume responsibility for use of any circuitry other than circuitry entirely embodied in an AIC product; nor for any infringement of patents or other rights of third parties that may result from its use. We reserve the right to change the circuitry and specifications without notice.

Life Support Policy: AIC does not authorize any AIC product for use in life support devices and/or systems. Life support devices or systems are devices or systems which, (i) are intended for surgical implant into the body or (ii) support or sustain life, and whose failure to perform, when properly used in accordance with instructions for use provided in the labeling, can be reasonably expected to result in a significant injury to the user.