

承認書

SPECIFICATION FOR APPROVAL

<i>CUSTOMER:</i>	
<i>CUSTOMER P/N</i>	
<i>PART NO:</i>	
<i>DESCRIPTION:</i>	<i>SMD INDUCTOR</i>
<i>PRODUCTS NO:</i>	<i>BCNR6045CF1-101M</i>
<i>PRODUCTS REV:</i>	<i>01</i>
<i>DATE:</i>	<i>2018-6-11</i>

<i>PURCHASER CONFIRMED</i>		
<i>REMARK</i>		

<i>PROVIDER ENGINEER DEPT.</i>		
<i>APPROVAL BY</i>	<i>CHECK BY</i>	<i>DRAWN BY</i>

誠陽實業有限公司

TAIWAN CHENG YANG COMPONENT CORP

2F-1, NO. 176, Chine-Yi Road., Zhonghe District, New Taipei City, TAIWAN(R.O.C)
 新北市中和區建一路176號2樓之一

POSTAL CODE: 23500

TEL NO.:+886-2- 8228-0930 FAX NO.:+886-2-8228-0929 E-mail:h21803@ms29.hinet.net

寶誠電子有限公司

ZHUHAI BAO CHENG ELECTRONICSCO.,LTD

Guan Tang Industrial Park, Tang Jia Wan Town, Zhuhai City, Guangdong Province, CHINA
 中國廣東省珠海市塘家灣鎮官塘工業區

POSTAL CODE: 519085

TEL NO:86-756-3383187 FAX NO:86-756-3380704 E-mail: baocheng@baocheng.biz

昆山誠陽電子有限公司

KUNSHAN CHENG YANG ELECTRONICSCO.,LTDP

Qiang-An Road., High-Tech. Industrial Park, Kunshan City, Jiangsu Province, China

江蘇省昆山市高科技工業園區強安路35號

POSTAL CODE: 215300

TEL NO:86-512-57823500 FAX NO:86-512-57823503 E-mail: kscy@taiwan-chengyang.com.tw



TAIPEI OFFICE

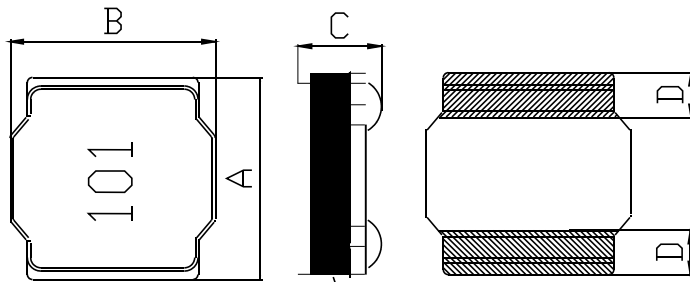


CHINA FACTORY



CHINA FACTORY

EXTERNAL DIMENSIONS UNIT: mm

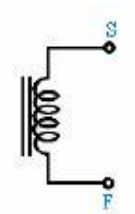


Magnetic shielding

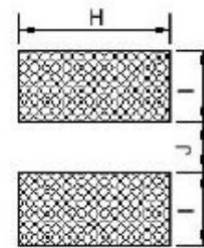
Marking: Black "101"

A	B	C	D
6.0±0.2	6.0±0.2	4.5+0.2/-0.3	1.85REF

ELECTRICAL SCHEMATIC



PAD LAYOUT UNIT: mm



H	I	J
5.7	2.0	2.4

ELECTRICAL CHARACTERISTICS(@ 25°C)

Part No.	Inductance (uH)	DCR (mΩ)	Isat (A)	Irms (A)
	100±20%	470±30%	L(1.1A)≥ L(0A)*0.7TYP	0.9
	100KHz/1.0V		100KHz/1.0V	Δt≅40°C TYP
	CH3250	GKT-502BC	CH2816+W R7210	CH2816+W R7210

WINDING

PIN(Winding)	L1
Turns	53.5Ts REF G1P180 Ø0.18mm

NOTE:

Operating temperature: -25°C~+105°C
 Storage temperature: 温度: 0°C~+40°C 湿度: RH10%~70%

Material List

No.	Item	Material	Specification	Supplier	UL
a	Core	Ferrite core	64F SDR 6.0*6.0*4.4 STM B=3.1 F=2.5	EMICORE	
b	Wire	Enamelled copper wire	G1P180 Ø0.18mm	ELEKTRISOLA	UL:E258243
c	Terminal	Sn/Cu	N107H	THOUSAND	

Lead-Free & RoHs

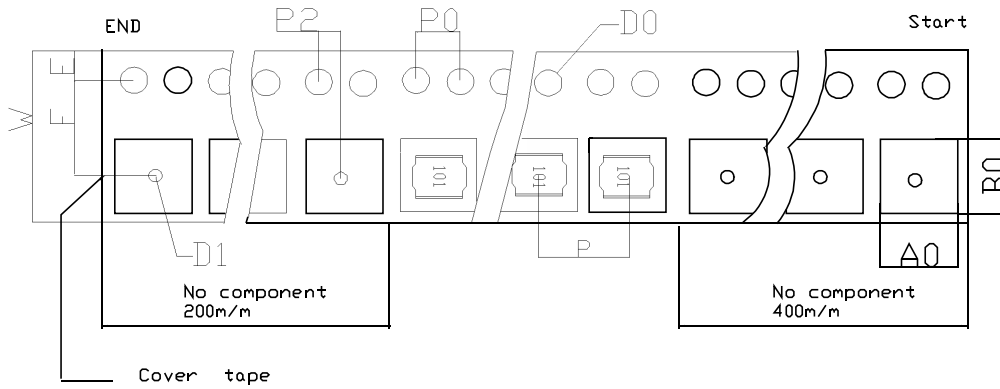
TEST DATA FOR PREPRODUCTION SAMPLES

MEAS. Item	Inductance (uH)	DCR (mΩ)	Isat (A)	Irms (A)		A (mm)	B (mm)	C (mm)	
Spec	100±20%	470±30%	$L(1.1A) \geq L(0A) * 0.7$ TYP	0.9		6.0±0.2	6.0±0.2	4.5+0.2/-0.3	
Test Freq.	100KHz/1.0V		100KHz/1.0V	$\Delta t \leq 40^\circ\text{C}$ TYP					
1	101	477	92	OK		6.09	6.04	4.47	
2	101	481	91	OK		6.08	6.04	4.47	
3	102	473	91	OK		6.09	6.03	4.48	
4	101	470	92	OK		6.08	6.05	4.45	
5	100	467	92	OK		6.09	6.03	4.47	
6									
7									
8									
9									
10									
X	101	473.6	91.6			6.086	6.038	4.468	
R	2.00	14.00	1.00			0.01	0.02	0.03	

TEST INSTRUMENT:

Inductance CH3250
 DCR GKT-502BC
 Isat CH2816+WR7210
 Irms CH2816+WR7210

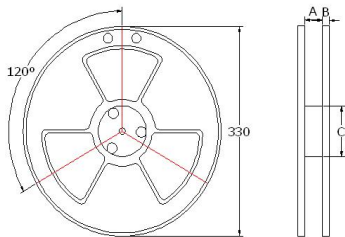
Packing
Carrier Tape (Unit:mm)



W=16.0
A0=6.4
B0=6.4
K0=4.75
P=12.0
P0=4.0
P2=2.0
F=7.5
E=1.75
D0=1.5
D1=1.5

透明载带+自粘上带.

Reel (Unit:mm)



A=16.5
B=2.3
C=100

QTY

Reel(Pcs) 1,000