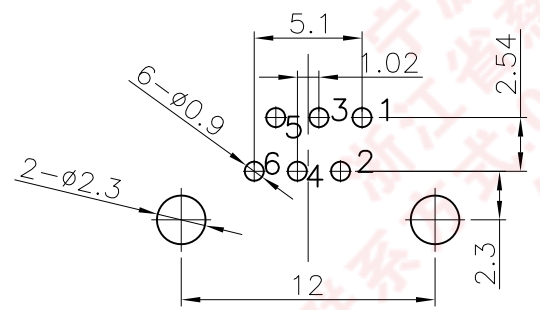
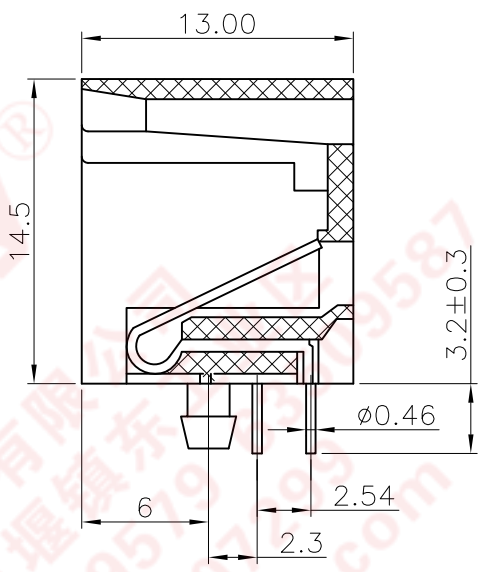
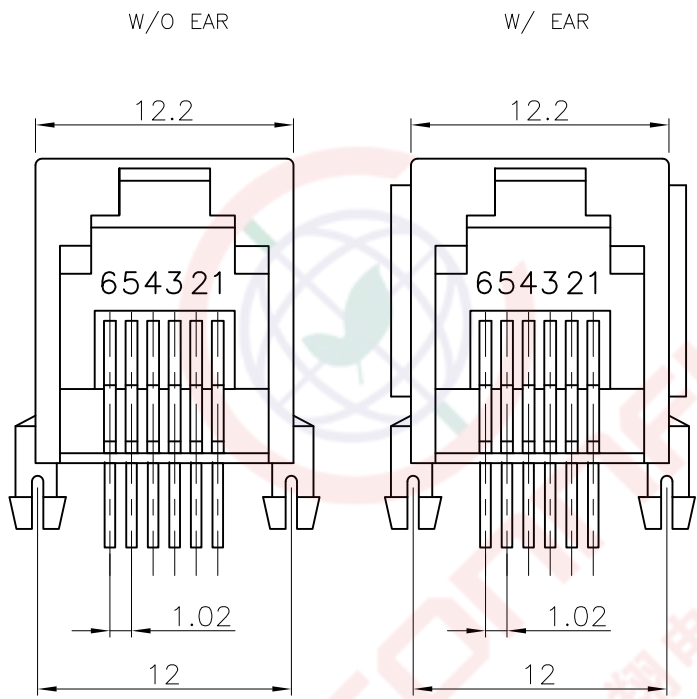


REV.	DESCRIPTION	DRAWN	CHECKED	APPROVED
A	NEW RELEASE	JLZ 05/29/18'		



SPECIFICATION

- Insulation Resistance:1000MΩ Min.
- Withstand Voltage:500V AC/Minute.
- Durability:600 Mating Cycles Min.
- Product Number Code:

DS1133-X X X X X X

- Ear Support
S:W/ Ear
X:W/O Ear
- Housing Materials
P:PBT
N:NYLON
- Housing Color
A:Gray
B:Black
- Contact Plating
0:Gold Flash
3:3u" Gold
6:6u" Gold
15:15u" Gold
30:30u" Gold
- No.Of Contacts
6:6P6C
- Connector Type
S:Socket
- Series No.
DS1133

RECOMMEND PCB LAYOUT(TOLERANCE=±0.05)

GENERAL TOLERANCE		ANGLE TOLERANCE	
X.	±0.60	X.	±5°
.X	±0.38	.X	±3°
.XX	±0.25	.XX	±2°

DRAWING TYPE	CUSTOMER		
SCALE	1:1	SHEET	1 OF 1
DRAWING NO.	C-DS1133-XXXXXX-A		

PROJECTION		TITLE	PCB JACK 6P	
UNITS	mm	SERIES	DS1133 SERIES	
SHEET SIZE	A4			

晨翔电子有限公司
CONNFLY CONNFLY ELECTRONIC CO. LTD