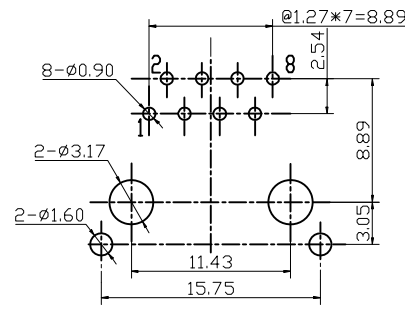
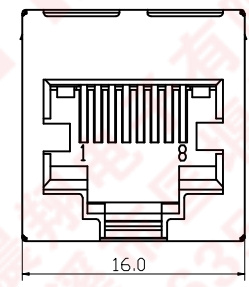
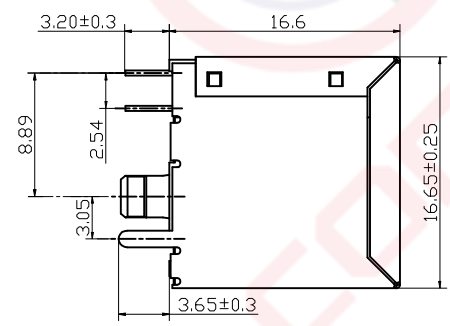
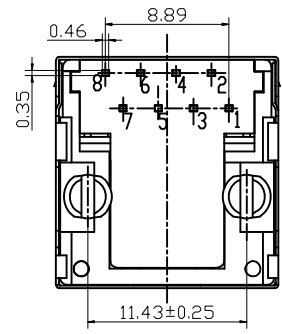
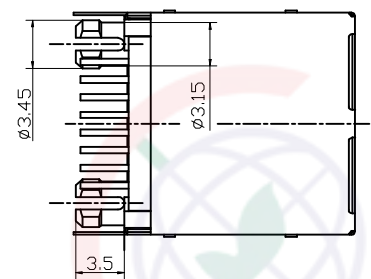


| REV. | DESCRIPTION | DRAWN | CHECKED | APPROVED |
|------|-------------|---------------|---------|----------|
| A | NEW RELEASE | JLZ 06/08/16' | | |

NOTES:

- ELECTRICAL CHARACTERISTICS:
 - CONTACT RESISTANCE: 30mΩ Max.
 - DIELECTRIC WITHSTANDING VOLTAGE: 500V AC(rms) FOR 1 MINUTE.
 - INSULATION RESISTANCE: 1000MΩ Min.
 - VOLTAGE RATING:125V.
 - CURRENT RATING:1.5A.
- ENVIRONMENT CHARACTERISTICS:
 - TEMPERATURE: -40°C~+85°C.
- MATERIALS
 - CONTACT MATERIAL: COPPER ALLOY.
 - CONTACT PLATING: SECLECTIVE GOLD FLASH.
 - INSULATOR MATERIALS: PBT BLACK.
- PRODUCT NUMBER CODE:
DS1134-07-X X X X X

- Housing Materials
P:PBT
- Contact Plating
O:Selective Gold Flash
- Housing Color
B:Black
- No.Of Contacts
8:8p8c
- Connector Type
S:Socket



PCB LAYOUT
THICKNESS=1.6mm

| | | | | | | | | |
|-------------------|-------|-----------------------|--------|--|----|--------|---|--|
| GENERAL TOLERANCE | | ANGLE TOLERANCE | | PROJECTION | | TITLE | PCB Jack 8 Positions W/ Shell 3.05mm V/T Type | |
| X. | ±0.60 | X. | ±5° | UNITS | mm | SHEET | A4 | |
| .X | ±0.38 | .X | ±3° | SHEET SIZE | A4 | SERIES | DS1134-07 SERIES | |
| .XX | ±0.25 | .XX | ±2° | 晨翔电子有限公司 CONNFLY CONNFLY ELECTRONIC CO. LTD | | | | |
| DRAWING TYPE | | CUSTOMER | | | | | | |
| SCALE | 1:1 | SHEET | 1 OF 1 | | | | | |
| DRAWING NO. | | C-DS1134-07-XXXXX-X-A | | | | | | |