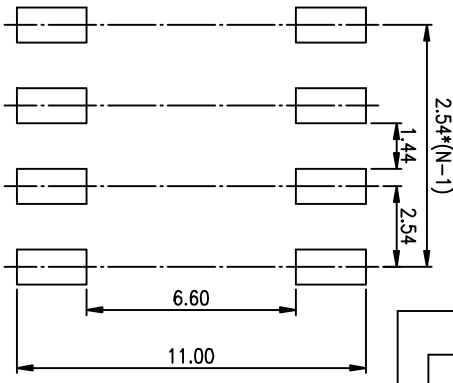
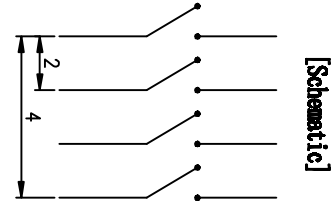
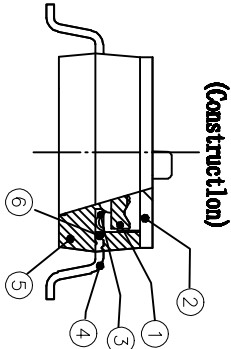
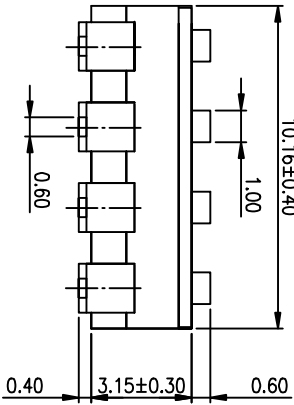
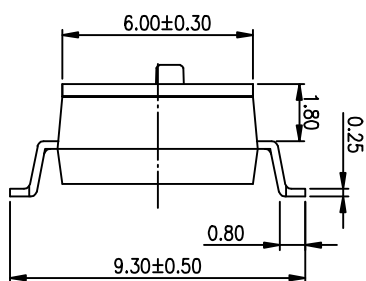
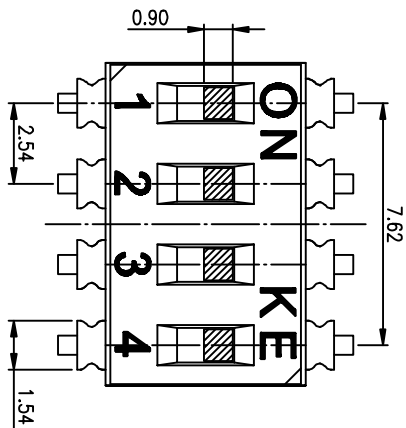
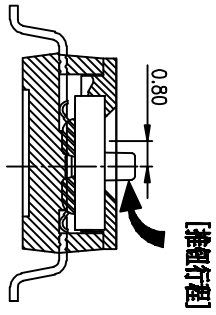


PRODUCT NO.	1
DISCO4LSGET	RoHS compliant



RECOMMENDED P.C.B. LAYOUT (TOP VIEW)



- NOTES :
- 1>.Specification:
 - 1>.Operating force:1000gf Max
 - 2>.Operating Temperature: -40° to+85°
 - 3>.Storage Temperature: -40° to+85°
 - 4>.Mechanical Life:3000cycles minimum
 - 5>.Electrical Life:2000cycles minimum
 2. PLATING:
 - GOLD FLASH 1u"(min.) SOLDER TAIL,
 - 3u" GOLD PLATING ON THE CONTACT AREA,
 - WITH 50u" NICKEL UNDERPLATING OVERALL.

3. PART NUMBER DESCRIPTION

- DISC XX I S G E I
- [包装方式: I=管装 R=盒装]
 - [电镀层: B=镀锡3u" G=镀镍3u" / 厚镀层: 2u"]
 - [G=鍍金 S=内金外镀]
 - [脚型: S脚 / J脚 / 弯脚 / A脚 / Z脚]
 - [T=低接触度 S=低接触度 L=长推]
 - [产品代码: 02=2P 04=4P 06=6P 08=8P 10=10P 12=12P]

Number	Part Name	Material	Finished
①	Actuator	UL94 V0	White
②	Cover	UL94 V0	Black
③	Movable	Copper Alloy	3u"Gold
④	Terminal	Brass	1u"Gold
⑤	Base	UL94 V0	Black
⑥	Terminal Contact	Brass	3u"Gold

TOLERANCE UNLESS OTHERWISE SPECIFIED		INSPECTION COPY	
LINER	ANGLES	PROJECTION	
0 ± 0.25	0. ± 2'		
.00 ± 0.15	.0 ± 1'		
.000± 0.10	.00± 0.5'		
DESIGN	kathy	2012/04/12	
DRAWING			
CHECK			
APPRO.			

FILE NO.	DISCO4LSGET-A
SIZE	UNIT SCALE SHEET REV.
A4	mm 2 : 1 1OF 1 A

RE 东莞市广誉实业有限公司
Dongguan Kingtek Industrial Co., Ltd.

TITLE
BY DISC SERIES PITCH 2.54mm

PRODUCT FAMILY DISC SERIES

PRAT NO. DISCO4LSGET