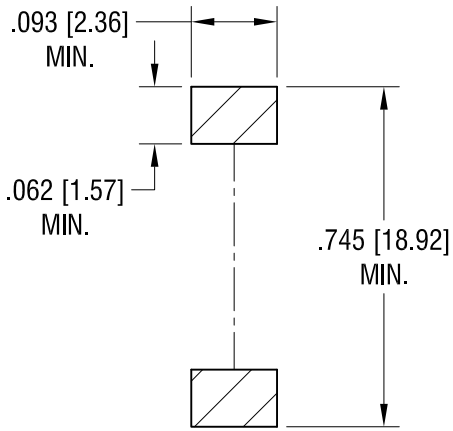
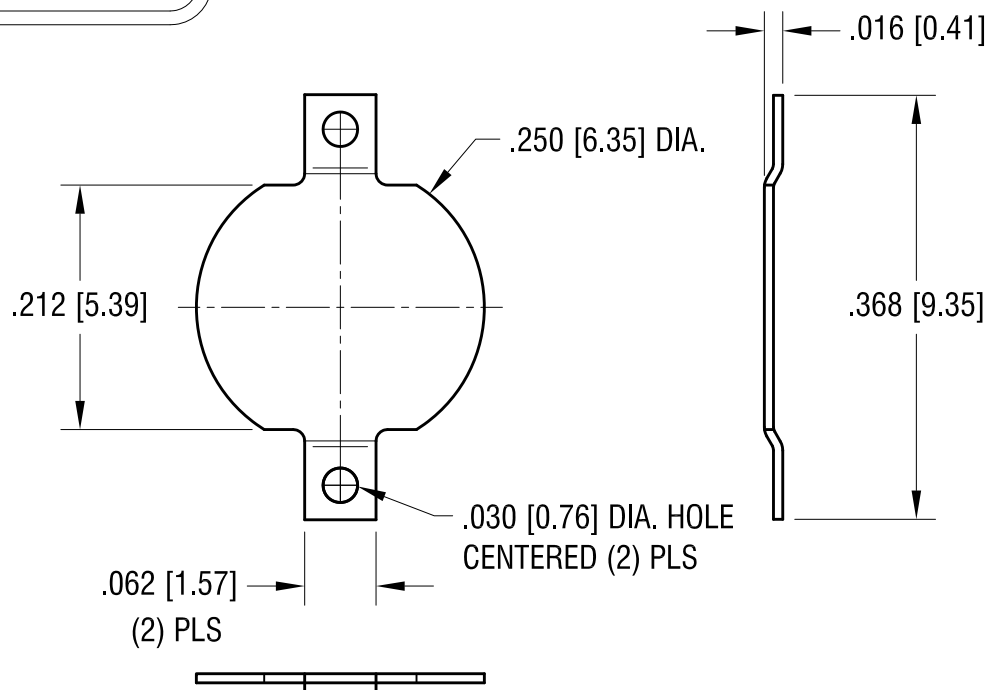


THIS DOCUMENT IS THE PROPERTY OF
KEYSTONE ELECTRONICS CORP. AND
SHALL NOT BE REPRODUCED, DISTRIBUTED
OR USED AS A BASIS FOR MANUFACTURE
WITHOUT PRIOR WRITTEN PERMISSION
FROM KEYSTONE ELECTRONICS CORP.

ACTUAL SIZE



MOUNTING PAD LAYOUT



KEYSTONE ELECTRONICS CORP.

www.keyelco.com • NEW HYDE PARK, NY 11040 • Tel (516) 328-7500

PART NAME

COIN CELL SMT NEGATIVE CONTACT

MATERIAL

.008 [0.20] TH'K BRASS

FINISH

TIN NICKEL PLATE

DRN BY

BOONE

DATE

12.20.05

APP'D

LN

SCALE

6X

5.09.06 CHANGE AS PER ECN 06-028

A

TOLERANCES

INCH [MM]

CODE

DWG NO.

DECIMAL ± .005 [±]

C

ANGULAR ± 1°
UNLESS OTHERWISE SPECIFIED

2991

DATE

DESCRIPTION

REV.