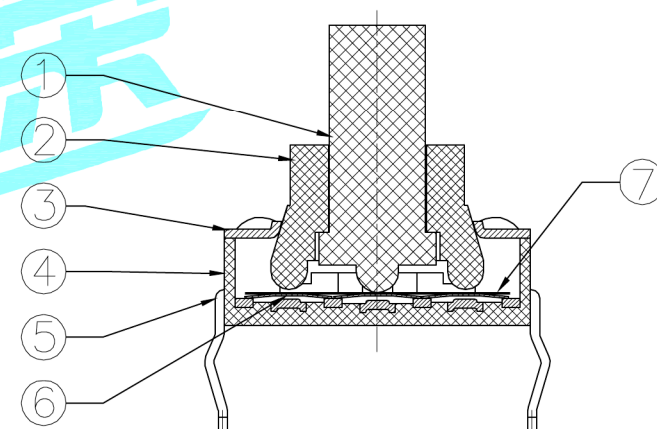
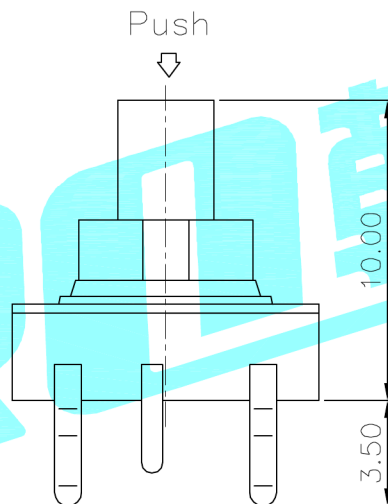
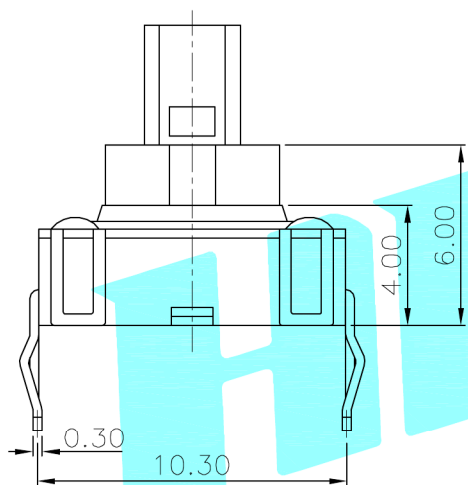
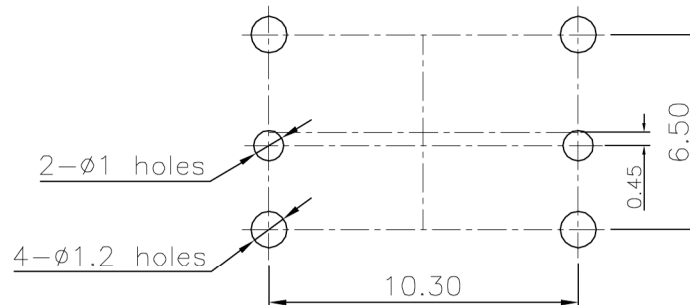


Circuit Diagram



NOTE:
 Operating Force:
 4-direction 160 ± 35 gf
 center push 300 ± 35 gf
 Travel: 4-direction $5^\circ \pm 2^\circ$
 center push 0.20 ± 0.1 mm



PCB Layout(Pattern Side)

ITEM	PART NAME	TER'NO.	QTY.	MATERIAL	FINISHING	REMARK
⑦	Dust cover	—	1	Kapton film	Yellow	—
⑥	Contact	—	6	F.Ag/SUS	—	Circular
⑤	Terminal	—	8	Brass(0.3t)	Plating silver	—
④	Base	—	1	PA46	Black	—
③	Cover	—	1	SUS	Plating Ni	—
②	Axle sleeve	—	1	LCP	Off-white	—
①	Knob	—	1	LCP	Black	—

APPROVALS		DATE		HRO 翰泰 ELECTRONICS CO.,LTD		
DRAWN	J.X.Zhang	2013/7/31		TITLE:	MULTIFUNCTIONAL SWITCHES	
CHECKED				PART NO.	K1-1506DN-01	
APPROVALS				TOLERANCES ARE	ANGLE	UNIT: mm SCALE: 1:1 PROJ:
		30~以上	±0.30	±2'	DRAWING NO.	SHEET 1 OF 1
		10~30	±0.20			
		5~10	±0.15			
		~ 5	±0.10			

ECN NO.	REV.	DATE.	DESCRIPTION.	CHANGE.	CHECK.	APPRO.
	A		NEW			