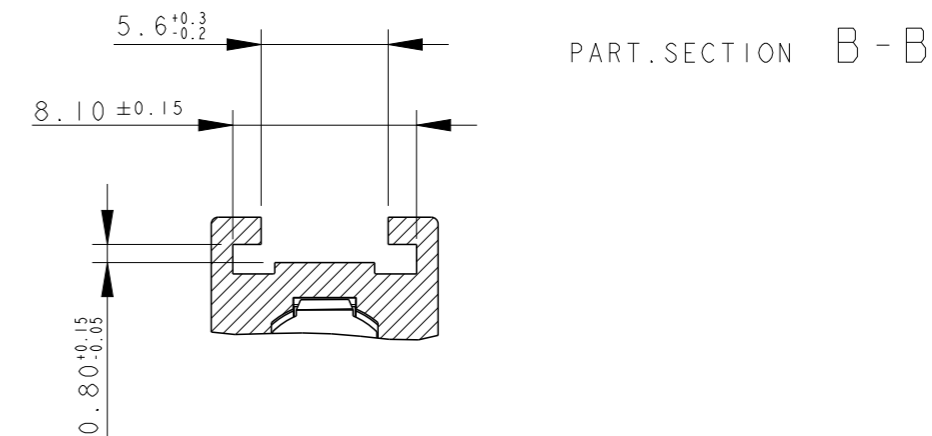
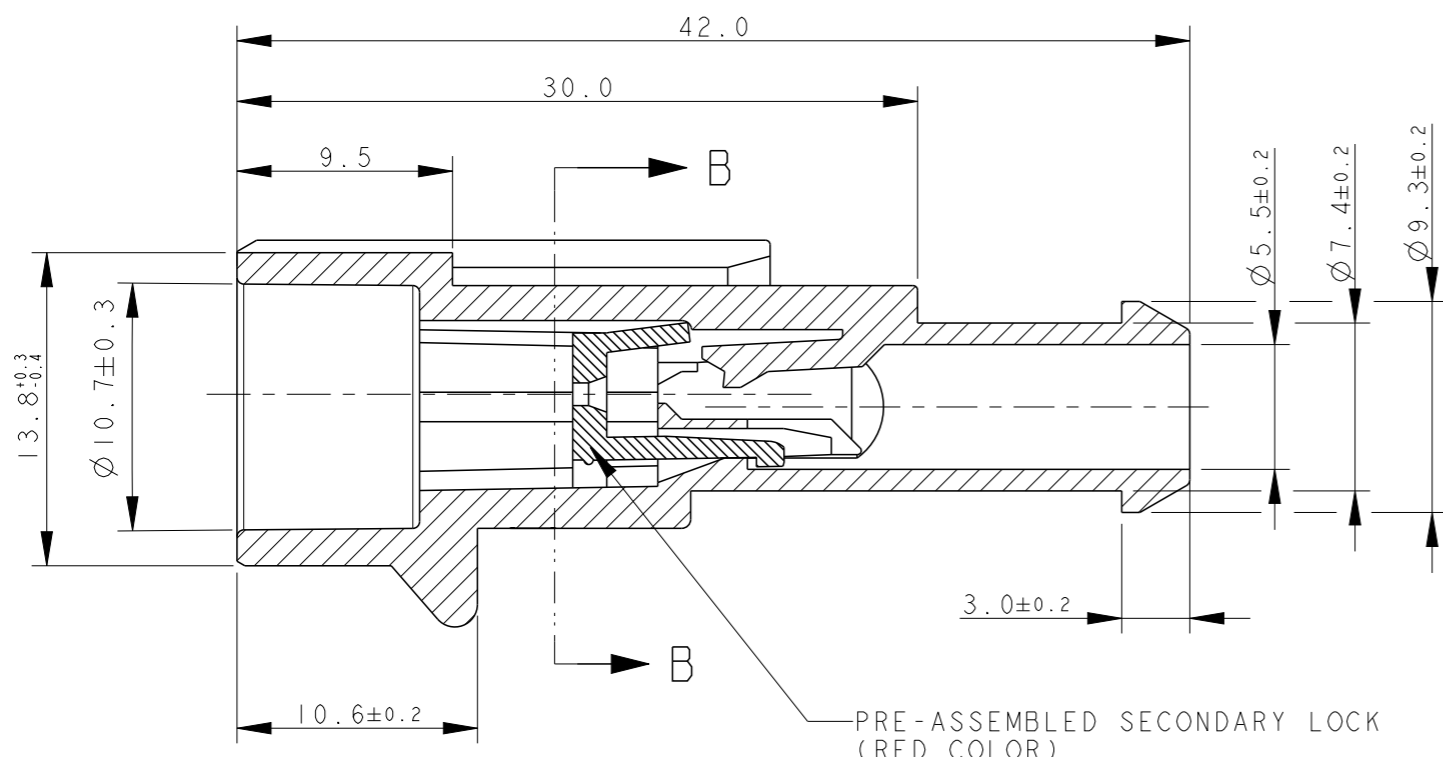
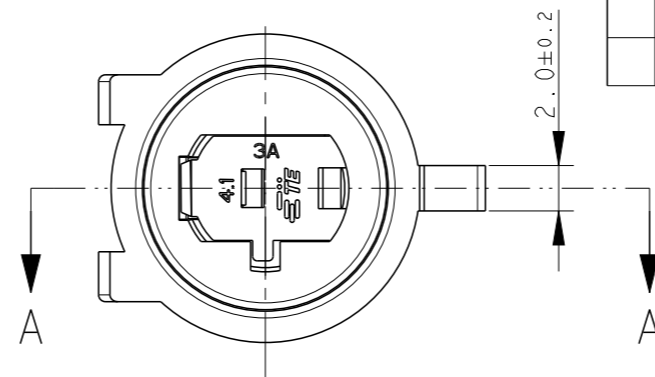
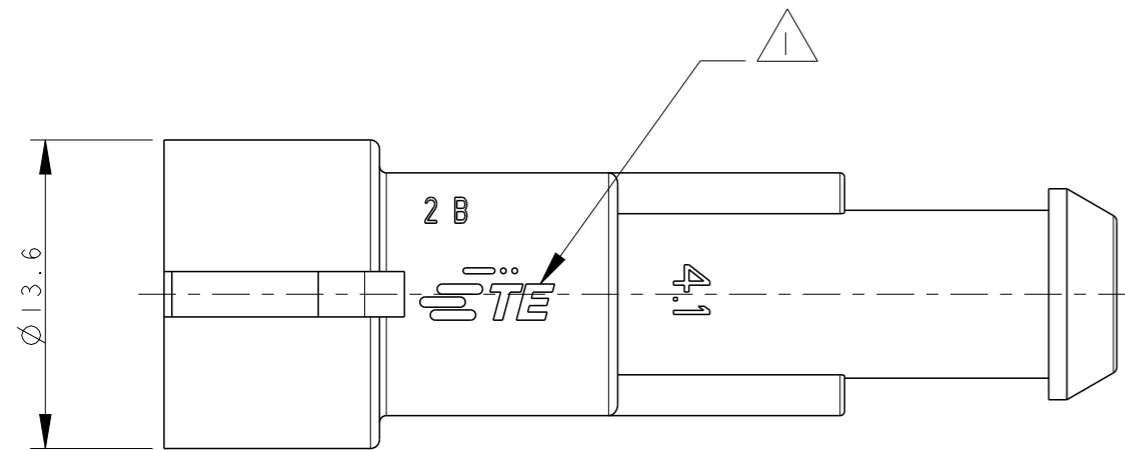


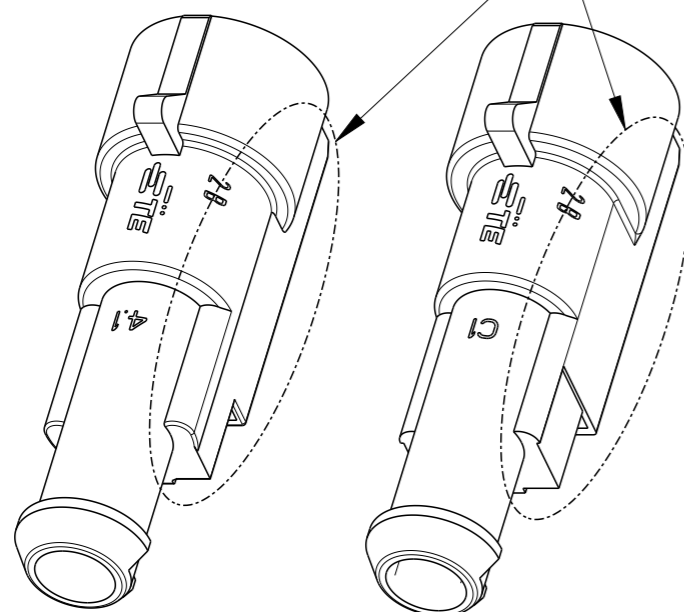
REVISIONS

P	LTR	DESCRIPTION	DATE	DWN	APVD
B1		REVISED (ECO-17-009774)	06SEP2017	M.G.	M.G.
B2		REVISED PER ECO-18-003893	05MAR2018	AP	VN




1 TE CONNECTIVITY TRADE MARK, (IN ALTERNATIVE: "AMP" LOGO, OR "Tyco Electronics" LOGO)

OPTIONAL SHAPE OF OUTER PROFILE



GRAY	PA66-GF	B	282103-2
BLACK	PA66-GF	B	282103-1
FINISH/COLOR	MATERIAL	REV	PART NUMBER

THIS DRAWING IS A CONTROLLED DOCUMENT.		DWN	C. BERTINI	02-1990	 TE Connectivity		
DIMENSIONS: mm		CHK	A. BRUNI	02-1990			
TOLERANCES UNLESS OTHERWISE SPECIFIED:		APVD	-	-	NAME		
0 PLC ±-		PRODUCT SPEC		108-20090	AMP SUPERSEAL 1.5 SRS.		
1 PLC ± 0.3		APPLICATION SPEC		412-20000	1 POSITION TAB ASS'Y		
2 PLC ±-		WEIGHT		2.83g	SIZE	CAGE CODE	DRAWING NO
3 PLC ±-		Customer Drawing		SCALE	3:1	SHEET	1 OF 1
4 PLC ±-		SEE TABLE		REV	B2	RESTRICTED TO	
ANGLES ± 2°		SEE TABLE		A300779C-282103			
FINISH		SEE TABLE		-			