

**HR051067**

**Electrical Specification @25°C**

RoHS Compliant (Pb Free)

Isolation: 1500Vrms 1mA 60S (Pri. & Bias to Sec.), 600Vrms 1mA 60S (Pri. to Bias.)

Isolation: 600Vrms 1mA 60S (Windings to Core)

Turns Ratio: P3-4 : P2-1 : P5,6-7,8 = 1 : 0.667 : 0.262 @100KHz 0.1Vrms (Tie5+6, 7+8)

Pin3-4 Inductance: 155.0 uH ±10% @250KHz 0.1Vrms

Pin3-4 Inductance: 139.5 uH Min @250KHz 0.1Vrms +0.65A

Pin3-4 Leakage Inductance: 3.60uH Max. @250KHz 0.1Vrms (Shorted other windings)

Pin3-4 DC Resistance: 414.0 mohms Maximum

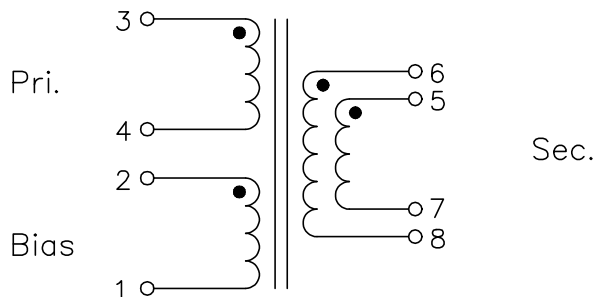
Pin2-1 DC Resistance: 822.0 mohms Maximum

Pin5,6-7,8 DC Resistance: 60.0 mohms Maximum (Tie5+6, 7+8)

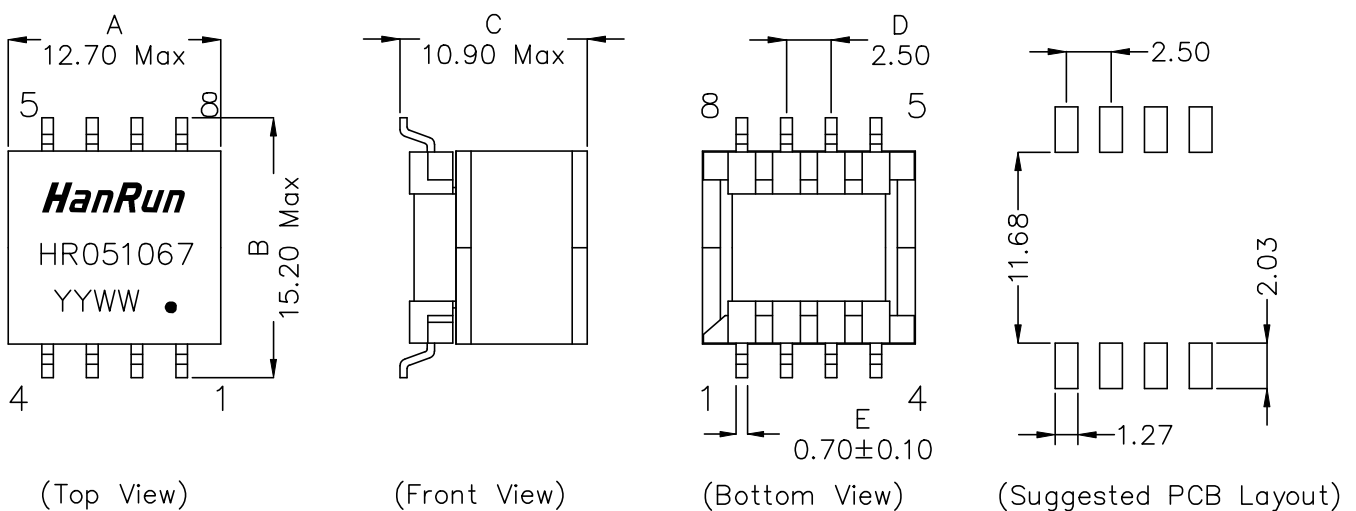
Input: 36~72V Output: 5V, 1.4A

Operating Temperature: -40°C ~ +85°C, Storage Temperature: -40°C ~ +85°C

**Schematics**



**Mechanical Dimensions**



Unless otherwise specified,

Tol.: .xx ± 0.25 (mm)

REV.: 02